

TUNTURI®

Pure 4.1

Pure U bike 4.1

USER MANUAL.....	03-19
BETRIEBSANLEITUNG	20-37
MODE D'EMPLOI.....	38-56
HANDLEIDING	57-74



Serial number
Seriennummer
Numero de serie
Serienummer



It's easy to feel good!

Contents

Welcome	3
Safety warnings	3
Electrical safety	4
Assembly	5
Parts out of box	5
Hardware kit	5
General assembly information.....	5
Assembly steps	5
Use	8
Adjusting the support feet.....	8
Adjust horizontal seat position.....	8
Adjusting the vertical seat position	8
Workouts	8
Pulse rate measurement	8
Heart rate measurement	9
Maximum heart rate.....	9
User interface	10
Display functions	10
Key functions	10
Extra functions.....	10
Programs	10
Manual mode.....	11
Beginner mode	11
Advance mode.....	12
Sporty mode	12
Cardio mode	13
Watt mode	13
Body fat	14
Recovery	14
I-Console App	15
Start up	15
User setting	16
User data set	16
Workout selection	16
Manual program	16
I-Route 16 Program.....	17
Watt Control.....	17
Cardio control	17
Stop workout.....	17
Cleaning and maintenance	18
Disclaimer	18
Workout summary	18
Transport and storage	19
Warranty	19
Specifications	75
Parts list.....	76
Exploded view	77

Welcome

Welcome to the world of Tunturi New Fitness!

Thank you for purchasing this piece of Tunturi equipment. Tunturi offers a wide range of professional fitness equipment, including cross trainers, treadmills, exercise bikes, and rowers. The Tunturi equipment is suitable for the entire family, no matter what fitness level. For more information, please visit our website www.tunturi.com

Safety warnings



WARNING

Read the safety warnings and the instructions. Failure to follow the safety warnings and the instructions can cause personal injury or damage to the equipment. Keep the safety warnings and the instructions for future reference.



WARNING

Heart rate monitoring systems may be inaccurate. Over exercise may result in serious injury or death. If you feel faint stop exercising immediately.

- The equipment is suitable for domestic and professional use only (e.g. hospitals, fire stations, hotels, schools etc.). Max. usage is limited to 6 hrs a day. The equipment is not suitable for full commercial use (e.g. large gyms).
- The use of this equipment by children or persons with a physical, sensory, mental or motorial disability, or lack of experience and knowledge can give cause to hazards. Persons responsible for their safety must give explicit instructions or supervise the use of the equipment.
- Before starting your workout, consult a physician to check your health.
- If you experience nausea, dizziness or other abnormal symptoms, immediately stop your workout and consult a physician.

- To avoid muscular pain and strain start each workout by warming up and finish each workout by cooling down. Remember to stretch at the end of the workout.
- The equipment is suitable for indoor use only. The equipment is not suitable for outdoor use.
- Only use the equipment in environments with adequate ventilation. Do not use the equipment in draughty environments in order not to catch a cold.
- Only use the equipment in environments with ambient temperatures between 10 °C and 35 °C. Only store the equipment in environments with ambient temperatures between 5 °C and 45 °C.
- Do not use or store the equipment in humid surroundings. The air humidity must never be more than 80%.
- Only use the equipment for its intended purpose. Do not use the equipment for other purposes than described in the manual.
- Do not use the equipment if any part is damaged or defective. If a part is damaged or defective, contact your dealer.
- Keep your hands, feet and other body parts away from the moving parts.
- Keep your hair away from the moving parts.
- Wear appropriate clothing and shoes.
- Keep clothing, jewellery and other objects away from the moving parts.
- Make sure that only one person uses the equipment at a time. The equipment must not be used by persons weighing more than 135 kg (300 lbs).
- Do not open equipment without consulting your dealer.

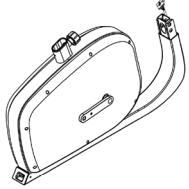






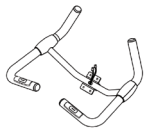
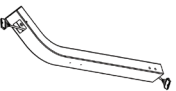

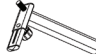









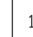
Electrical safety

(only for equipment with electric power)

- Before use, always check that the mains voltage is the same as the voltage on the rating plate of the equipment.
- Do not use an extension cable.
- Keep the mains cable away from heat, oil and sharp edges.
- Do not alter or modify the mains cable or the mains plug.
- Do not use the equipment if the mains cable or the mains plug is damaged or defective. If the mains cable or the mains plug is damaged or defective, contact your dealer.
- Always fully unwind the mains cable.
- Do not run the mains cable underneath the equipment. Do not run the mains cable underneath a carpet. Do not place any objects on the mains cable.
- Make sure that the mains cable does not hang over the edge of a table. Make sure that the mains cable cannot be caught accidentally or tripped over.
- Do not leave the equipment unattended when the mains plug is inserted into the wall socket.
- Do not pull the mains cable to remove the mains plug from the wall socket.
- Remove the mains plug from the wall socket when the equipment is not in use, before assembly or disassembly and before cleaning and maintenance.

Assembly

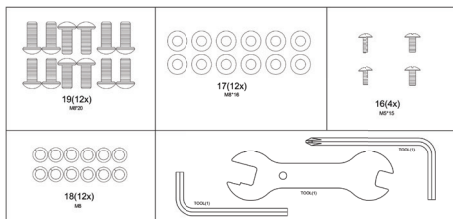
Parts out of box

	1		M8X20 ALLEN HEAD BOLT	12	
			M8X16X1.2T WASHER	12	
			M8 SPRING WASHER	12	
			M5X15 SCREW	4	
			M6X12 SCREW	2	
			M6 SPRING WASHER	2	
	1				
	1				
	1		1		1
	1				1
	1		1		1
			1		1/1
			1		1

The package contains the parts as shown in figure.

If a part is missing, contact your dealer.

Hardware kit



The package contains the fasteners as shown in figure.

If a part is missing, contact your dealer.

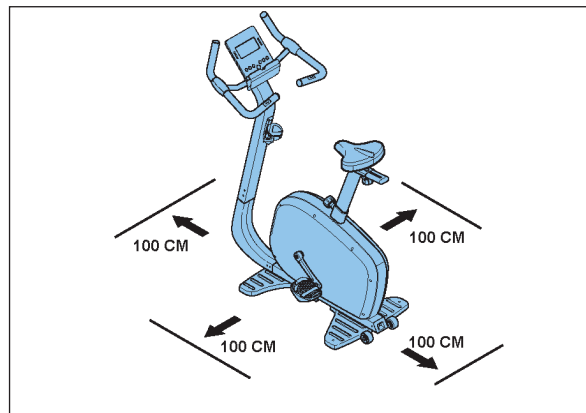
General assembly information

WARNING

- Assemble the equipment in the given order.
- Carry and move the equipment with at least two persons.

CAUTION

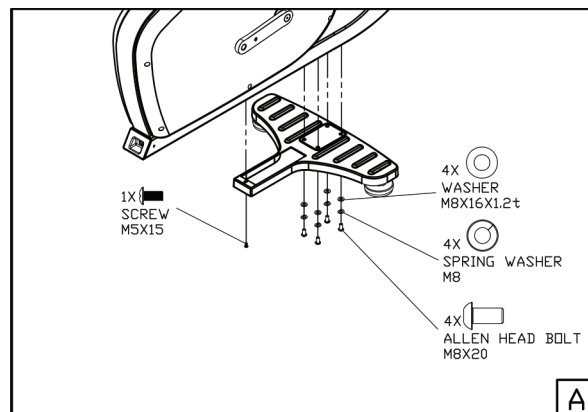
- Place the equipment on a firm, level surface.
- Place the equipment on a protective base to prevent damage to the floor surface.
- Allow at least 100 cm of clearance around the equipment.



Refer to the illustrations for the correct assembly of the equipment.

Assembly steps

Assembly step A

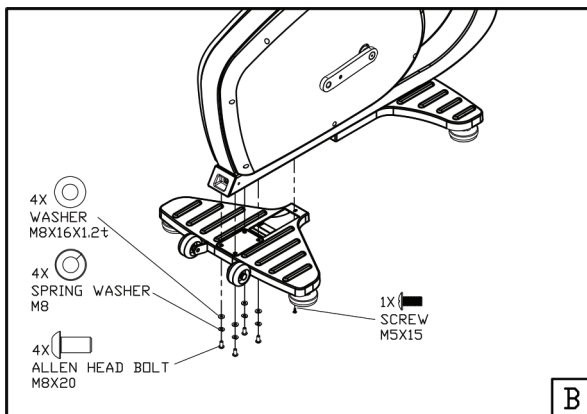


- Fit front stabilizer by using the shown hardware.

Remark:

First put all screws/ bolts in correct place before tightening them fully.

Assembly step B

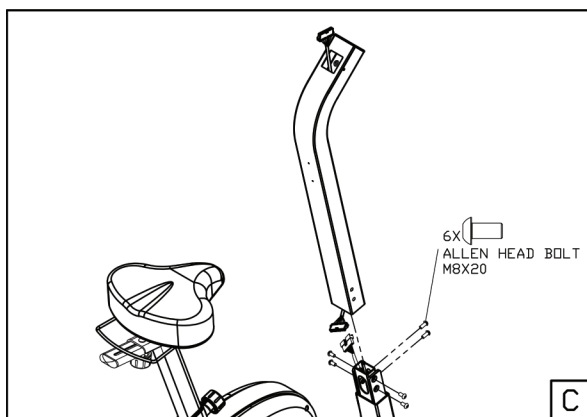


- Fit rear stabilizer by using the shown hardware.

Remark:

First put all screws/ bolts in correct place before tightening them fully.

Assembly step C



- Connect the wires from upright tube and main frame before sliding the upright tube in position.

Remark:

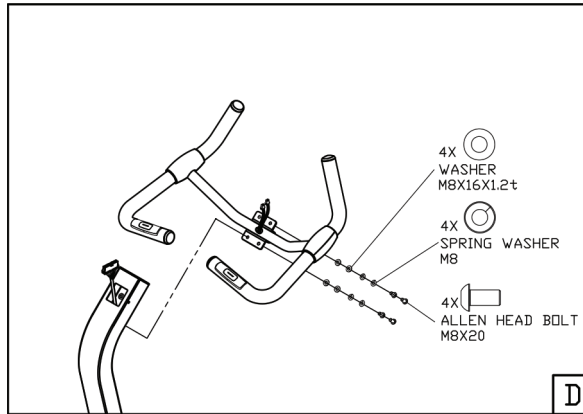
Do not remove screws from the frame before sliding the upright tube in position.

- Use the enclosed Allen key to tighten both fastening screws through the holes in the tube from inside out.
- Tighten the fastening screws by turning them counter-clockwise.

Remark:

First tighten all 6 bolts hand tight before tightening them fully. This to avoid miss alignment

Assembly step D



- Lead the wires for hand pulse reading through the hole towards the display assembly opening.

Remark:

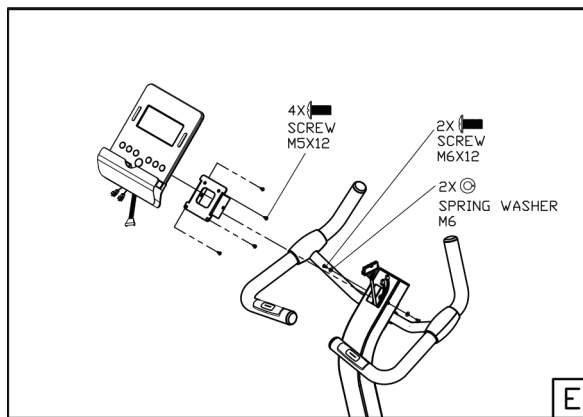
Avoid the wires to damage during assembly..

- Fit the handlebar to the upright tube by using the shown hardware..

Remark:

First put all screws/ bolts in correct place before tightening them fully.

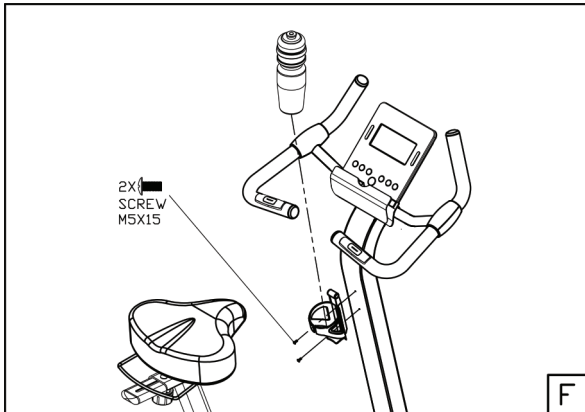
Assembly step E



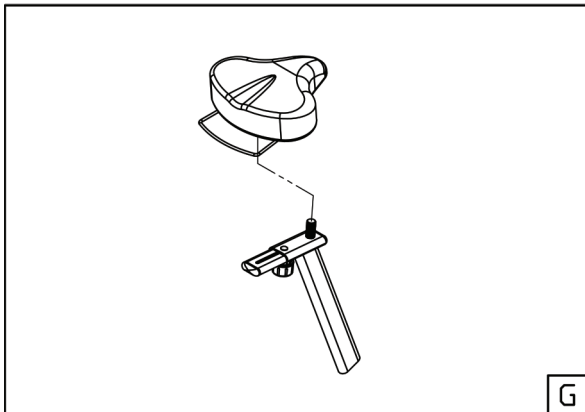
- remove the 4 assembly screws from the consoles rear cover.
- Fix the console to the console bracket.
- Guide the hand pulse wires coming from the handlebar and data cable coming from upright tube through the console bracket hole.
- Connect the hand pulse wires and data cable with the console.
- Fix the console bracket to the upright tube.

Remark:

Avoid the wires to damage during assembly

Assembly step F

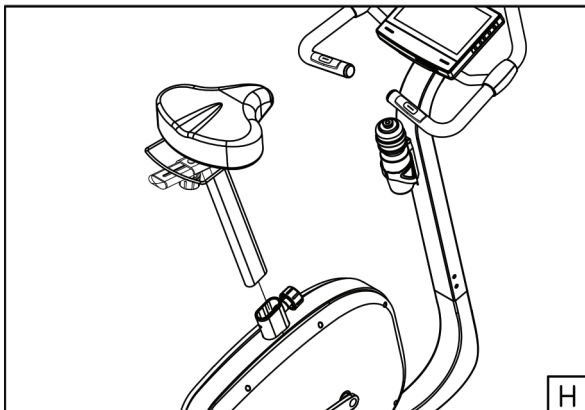
- Fix the bottle holder to the upright tube.

Assembly step G

- Fix the seat the seat slider already pre assembled to the seat tube.

Remark:

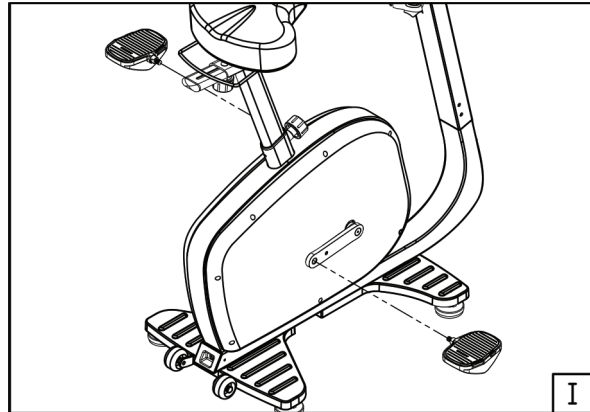
before using your bike after complete assembly make sure the seat is tightened fully and is correctly aligned.

Assembly step H

- Slide the seat tube into the main frame.

Remark:

The seat height adjustment knob needs to be loosen first by turn/ pull before the seat tube can slide in fully.

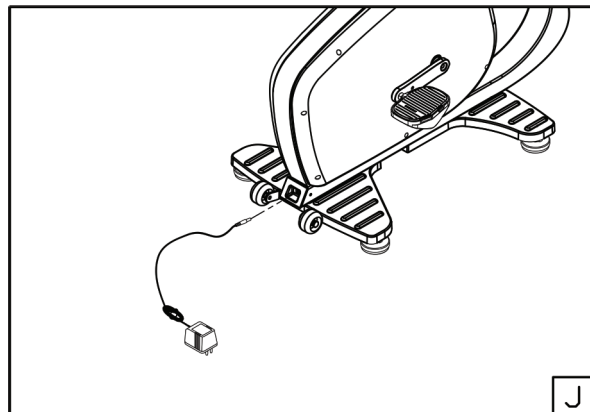
Assembly step I**mark:**

There is a marker for Right (R) and Left (L) pedal in pedal axle.

- Fix Left pedal to the crank arm by turning in counter clock wise direction.
- Fix Right pedal to the crank arm by turning in the clock wise direction.

Remark:

Make sure the pedals are tightened fully.

Assembly step J

- Attach the transformer to the bike before connect it to the wall outlet.

Remark:

Always remove power cord when machine is not in use.

Use

Adjusting the support feet

The equipment is equipped with 4 support feet. If the equipment is not stable, the support feet can be adjusted.

1. Turn the support feet as required to put the equipment in a stable position.
2. Tighten the locknuts to lock the support feet.



NOTE

The machine is the most stable when all support feet are turned fully in. Therefore start to level the machine by turning all support feet fully in, before turning out the required support feet to stable the machine.

Adjust horizontal seat position

The horizontal seat position can be adjusted by setting the seat to the required position.

- Loosen the seat adjustment knob.
- Move the seat to the required position.
- Tighten the seat adjustment knob.

Adjusting the vertical seat position

The vertical seat position can be adjusted by setting the seat to the required position.

- Loosen the seat adjustment knob.
- Move the seat to the required position.
- Tighten the seat adjustment knob.

Workouts

The workout must be suitably light, but of long duration. Aerobic exercise is based on improving the body's maximum

oxygen uptake, which in turn improves endurance and fitness. You should perspire, but you should not get out of breath during the workout.

To reach and maintain a basic fitness level, exercise at least three times a week, 30 minutes at a time. Increase the number of exercise sessions to improve your fitness level. It is worthwhile to combine regular exercise with a healthy diet. A person committed to dieting should exercise daily, at first 30 minutes or less at a time, gradually increasing the daily workout time to one hour.

Start your workout at low speed and low resistance to prevent the cardiovascular system from being subjected to excessive strain. As the fitness level improves, speed and resistance can be increased gradually. The efficiency of your exercise can be measured by monitoring your heart rate and your pulse rate.

Pulse rate measurement

(hand pulse sensors)

The pulse rate is measured by sensors in the handlebars when the user is touching both sensors at the same time.



WARNING

Heart rate monitoring systems may be inaccurate. Over exercise may result in serious injury or death. If you feel faint stop exercising immediately.

Most accurate pulse measurement is achieved when the skin is slightly moist and constantly touching the hand pulse sensors. If the skin is too dry or too moist, the pulse rate measurement might become less accurate.



NOTE

Do not use the hand pulse sensors in combination with a heart rate chest belt. If you set a heart rate limit for your workout, an alarm will sound when it is exceeded.

Heart rate measurement

(heart rate chest belt)

The most accurate heart rate measurement is achieved with a heart rate chest belt. The heart rate is measured by a heart rate receiver in combination with a heart rate transmitter belt. Accurate heart measurement requires that the electrodes on the transmitter belt are slightly moist and constantly touching the skin. If the electrodes are too dry or too moist, the heart rate measurement might become less accurate.



WARNING

If you have a pacemaker, consult a physician before using a heart rate chest belt.



CAUTION

If there are several heart rate measurement devices next to each other, make sure that the distance between them is at least 2 meters.

If there is only one heart rate receiver and several heart rate transmitters, make sure that only one person with a transmitter is within transmission range.



NOTE

- Do not use a heart rate chest belt in combination with the hand pulse sensors.
- Always wear the heart rate chest belt under your clothes directly in contact with your skin. Do not wear the heart rate chest belt above your clothes. If you wear the heart rate chest belt above your clothes, there will be no signal.
- If you set a heart rate limit for your workout, an alarm will sound when it is exceeded.
- The transmitter transmits the heart rate to the console up to a distance of 1.5 meters. If the electrodes are not moist, the heart rate will not appear on the display.
- Some fibres in clothes (e.g. polyester,

polyamide) create static electricity which can prevent accurate heart rate measurement.

- Mobile phones, televisions and other electrical appliances create an electromagnetic field which can prevent accurate heart rate measurement.

Maximum heart rate

(during training)

The maximum heart rate is the highest heart rate a person can safely achieve through exercise stress. The following formula is used to calculate the average maximum heart rate: $220 - \text{AGE}$. The maximum heart rate varies from person to person.



WARNING

Make sure that you do not exceed your maximum heart rate during your workout. If you belong to a risk group, consult a physician.

Beginner: (50-60% of max. heart rate)

Suitable for beginners, weight-watchers, convalescents and persons who have not exercised for a long time. Exercise at least three times a week, 30 minutes at a time.

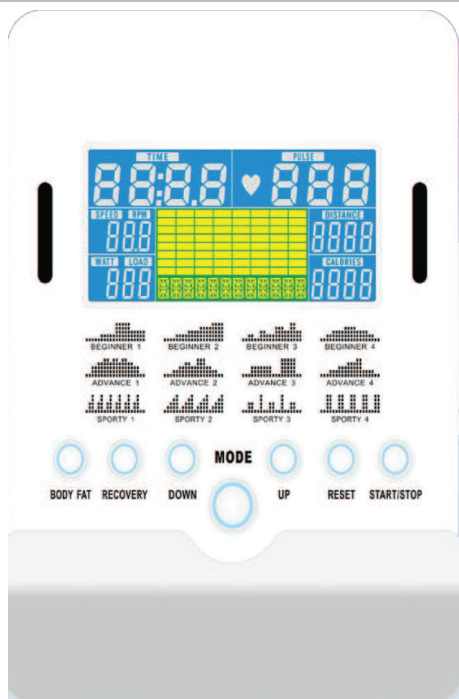
Advance: (60-70% or max. heart rate)

Suitable for persons who want to improve and maintain fitness. Exercise at least three times a week, 30 minutes at a time.

Expert: (70-80% or max. heart rate)

Suitable for the fittest of persons who are used to long-endurance workouts.

User interface



Display functions

Time window :

Shows workout time during exercise
Range: 0:00 ~ 99:59

Speed window :

Shows actual speed during exercise
Range: 0.0 ~ 99.9

RPM window :

Shows revolutions per minute during exercise
Range: 0 ~ 999

Watt window :

Shows workout watt power during exercise.
In watt program mode, console will show preset watt value.
Setting range: 0 ~ 350

Pulse window :

Shows pulse in bpm during exercise

Distance window :

Shows workout distance during exercise.
Range: 0.0 ~99.9

Calories window :

Shows burned calories during exercise
Range: 0 ~999

Key functions

Body fat key :

Test body fat in % and BMI.

Recovery key :

Test heart rate recovery status.

Down key :

Decrease resistance level during workout.
In setting selection lower value.

Mode key :

Confirm setting or selection

Up key :

Increase resistance level during workout.
In setting selection upper value.

Reset key :

When press and hold for 2 seconds, display will reboot and start from main menu. (all shown data will be lost)
Reverse to main menu during presetting workout value or stop mode

Start/ stop key :

Start workout when in idle mode.
Stop/ pause workout when in active mode.

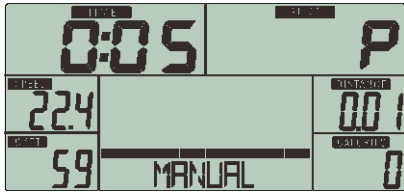
Extra functions

- Choose settings for units by using the Metric/ Imperial switch located on the back cover of the console
Console needs to reboot to apply the change.
- When setting one or more targets, the target value starts to count up when reached "0"

Programs

- Power on the display or use reset key function to go to main menu.
- Press Up key or Down Key to select workout program.
- Available programs are: Quick start, Manual, beginner, Advance, Sporty, Cardio and Watt program.

Manual mode



For Quick start you can

- Press Start/ stop key to start workout without any preset setting..

During workout you can press Up/ Down key to adjust resistance level.

Quick start mode stops when, no input for longer than 4 minutes or when Start/ stop key is pressed.

When settings in manual mode are required than you;

- Press Up/ Down key to select workout program, choose Manual mode and press mode key to enter next setting entry for manual mode program.
- Press Up/ Down key to preset training time, and press Mode key to confirm the setting.
- After confirm you can set also (also): distance, Calories, and Pulse.

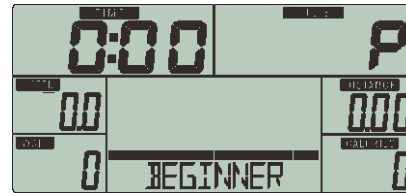


Note:

When setting more than one goal, the training will end at first achieved goal. Leave a goal blank and it will not be seen as a preset limit.

- Press Start/ Stop key to start workout
- Press Up/ Down key to adjust resistance level
- Press Start/ stop key to pause workout.
- Press Reset key to return to main menu. (active training data will be lost)

Beginner mode



- Press Up/ Down key to select workout program, choose beginner mode and press Mode key to enter next setting menu for beginner mode.
- There can be 4 beginner modes selected: beginner 1, beginner 2, beginner 3, and beginner 4. Select one by using the Up/ Down key and confirm selected by pressing Mode key.

BEGINNER 1



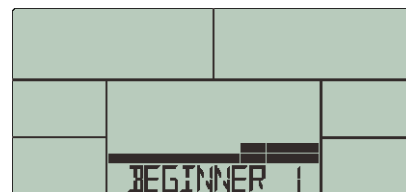
BEGINNER 2



BEGINNER 3



BEGINNER 4



- Press Up/ Down key to preset training time, and press Mode key to confirm the setting.
- After confirm you can set also (also): distance, Calories, and Pulse.

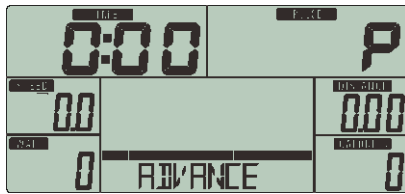


Note:

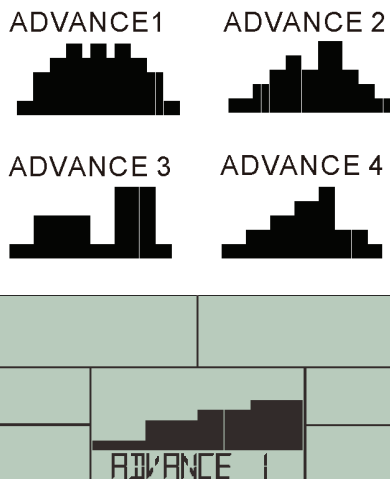
When setting more than one goal, the training will end at first achieved goal. Leave a goal blank and it will not be seen as a preset limit.

- Press Start/ Stop key to start workout
- Press Up/ Down key to adjust resistance level
- Press Start/ stop key to pause workout.
- Press Reset key to return to main menu. (active training data will be lost)

Advance mode



- Press Up/ Down key to select workout program, choose advance mode and press Mode key to enter next setting menu for advance mode.
- There can be 4 advance modes selected: advance 1, advance 2, advance 3, and advance 4. Select one by using the Up/ Down key and confirm selected by pressing Mode key.



- Press Up/ Down key to preset training time, and press Mode key to confirm the setting.
- After confirm you can set also (also): distance, Calories, and Pulse.



Note:

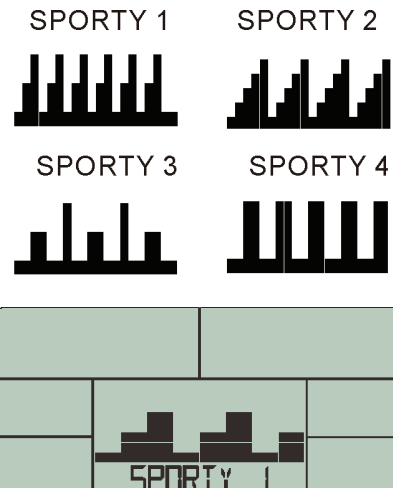
When setting more than one goal, the training will end at first achieved goal. Leave a goal blank and it will not be seen as a preset limit.

- Press Start/ Stop key to start workout
- Press Up/ Down key to adjust resistance level
- Press Start/ stop key to pause workout.
- Press Reset key to return to main menu. (active training data will be lost)

Sporty mode



- Press Up/ Down key to select workout program, choose sporty mode and press Mode key to enter next setting menu for sporty mode.
- There can be 4 Sporty modes selected: sporty 1, sporty 2, sporty 3, and sporty 4. Select one by using the Up key or Down key and confirm selected by pressing Mode key.



- Press Up/ Down key to preset training time, and press Mode key to confirm the setting.
- After confirm you can set also (also): distance, Calories, and Pulse.



Note:

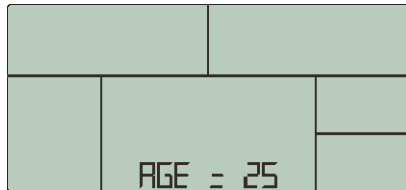
When setting more than one goal, the training will end at first achieved goal. Leave a goal blank and it will not be seen as a preset limit.

- Press Start/ Stop key to start workout
- Press Up/ Down key to adjust resistance level
- Press Start/ stop key to pause workout.
- Press Reset key to return to main menu. (active training data will be lost)

Cardio mode



- Press Up/ Down key to select workout program, choose cardio mode and press Mode key to enter next setting menu for advance mode.
- Press Up/ Down key to set your age and confirm by pressing mode key.



- There can be 4 cardio modes selected: 55%, 75%, 90% or TAG (target heart rate) default set on 100 (us Up/ Down key to change, and confirm by pressing mode key). Select one by using the Up/ Down key and confirm selected by pressing Mode key.



- Press Up/ Down key to preset training time, and press Mode key to confirm the setting.
- Press Start/ stop key to pause workout.
- Press Reset key to return to main menu. (active training data will be lost)

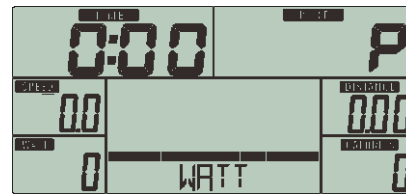


Note:

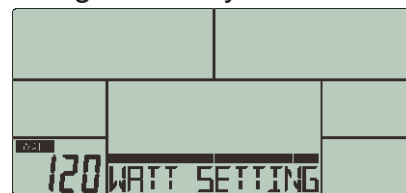
After 6 seconds without pulse input, LCD will show "Pulse Input" to notify the user.



Watt mode



- Press Up/ Down key to select workout program, choose watt mode and press Mode key to enter next setting menu for advance mode.
- Press Up/ Down key to set watt target (default set on 120) and confirm by pressing mode key.



- Press Up/ Down key to preset training time, and press Mode key to confirm the setting.
- Console will adjust tension level by the watt target and workout status (rpm)



- User can use Up/ Down key to adjust watt target during workout.
- Press Start/ stop key to pause workout.
- Press Reset key to return to main menu. (active training data will be lost)

Body fat

In stop mode, press Body fat key to start this function.

- Set Gender by using Up/ Down key and confirm by Mode key.
- Set Age by using Up/ Down key and confirm by Mode key.
- Set Height by using Up/ Down key and confirm by Mode key.
- Set Weight by using Up/ Down key and confirm by Mode key.

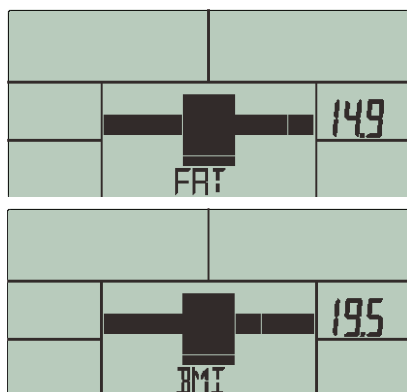
After confirm user must grab and hold both hand pulse sensors.



Note:

If hand grips are grabbed incorrectly, display cannot read and show “---- “ “ ----”. re grab hand pulse sensors again to see if improves.

When console can read the display will show a progress bar. display will show after finished body fat in percentage and BMI as a number by turns in every 3 seconds.



Note:

Error codes in body fat program are:

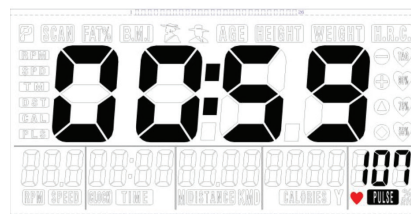
LCD show “---- “ “ ----”: hand grips search for reading

E1: There is no heart rate signal input detected for at least 5 seconds.

E4: Occurs when FAT% is below 5% or exceeds 50%. Occurs when BMI result is below 5 or exceeds 50.

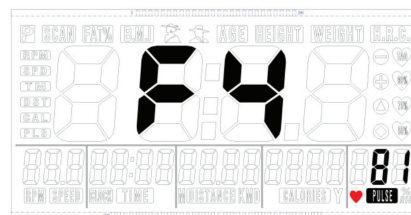
Recovery

- After exercising for a period of time, keep holding on hand grips until display shows the actual pulse reading.
- Press Recovery key, and re grab hand grips
- All display functions will stop except “TIME” that will start counting down from 00:60 to 00:00.



- LCD will display your heart rate recovery status with the F1, F2....to F6.

F1 is the best result and F6 is the worst. Press the RECOVERY button again to return the main display.



Note:

During the recovery time, re-press “RECOVERY” and console will go back to previous page.

I-Console App

We have developed an App, which you can download on your 10" tablet from the app store (iOS: iPad) or Google Play (Android Market: Samsung, HTC, LG, etc.). You only have to type Tunturi and it will search and find the App. This gives you more possibilities to use our product in combination with your 10" tablet.

To start the App, you have to connect your tablet with Bluetooth and search for device TUN-xxx (number)! The password you have to use to connect is 0000 (4 times zero).

"Made for iPad" means that an electronic accessory has been designed to connect specially to the iPad and has been certified by the developer to meet Apple performance standards. Apple is not responsible for the operation of this device or its compliance with safety and regulatory standards. Please note that the user of this accessory with iPad may affect wireless performance.

iPad is a trademark of Apple Inc., registered in the U.S. and other countries.



Note:

Once the console is connected to the tablet with Bluetooth, the console will power off.

For iOS system, please exit the i-Console app and turn off the Bluetooth from iPad, then the console will power on again.

Start up

Connect:

- Press "Connect", the i-Console App will search for Bluetooth automatically.
- Select the corresponding Bluetooth signal and start workout.



Help:

Press "Help" will show help menu when available.

Exit:

Press "Exit" to close application.

Knowledge:

Press Knowledge to show extra information when available.

Setting:

- Before connect to Bluetooth, the user may change the settings in "system". (Unit/ Language/ Password)



Press "Back" button to go back to previous setting.

User setting



User data set:

Press "User data set" to preset/ edit/ delete or select a user.

Quick start:

Press "Quick start" to start workout in manual mode.

Guest:

Press "Guest" to start workout without preset user data.

Press "Back" button to go back to previous setting.

User data set



Select user by using the navigation buttons or press "Back" button to go back to previous setting.



Create/ change user settings:

you can select:

- Avatar colour
- Age
- Height
- Weight
- Back ground colour.

Press "Next" to confirm change and go to workout selection menu, or press "Exit" to go back to former menu without change.

Workout selection

After select user, the user may start workout with: Manual/ i-Route/ Program/ program suggest or Watt,



Manual program

Select "Manual", preset: Time/ Distance/ Calories and press "Start" button to start workout, or press "Back" button to go back to previous setting.



I-Route

Select I-Route, the user may select country and press next to select

corresponding route, or press “Back” button to o back to previous setting.



Press/ swipe road map to switch display.

Program

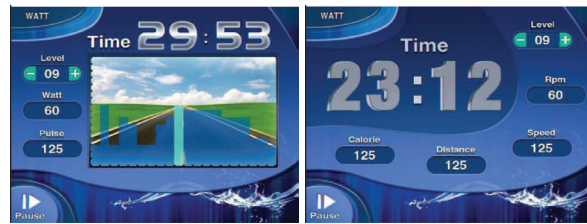
Select program may select program 1~12 and user program.



preset: Time/ Distance/ Calories and press “Start” button to start workout, or press “Back” button to go back to previous setting.

Watt Control

select Watt and preset watt and time to start workout.



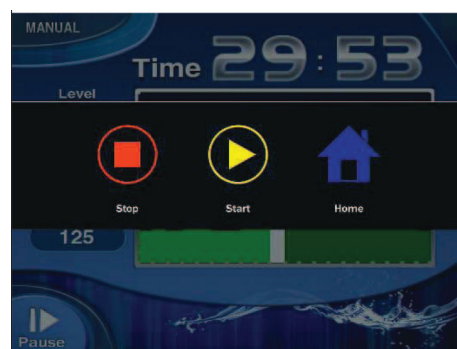
Press/ swipe road map to switch display.

Cardio control

select Cardio and preset pulse and time to start workout.



Stop workout



Press “Start” to resume workout.
Press “Home” to close application
Press “Stop” to save or stop the workout and go back to main window.



Select “yes” to save workout. Select “No” to go back to program mode without saving data.

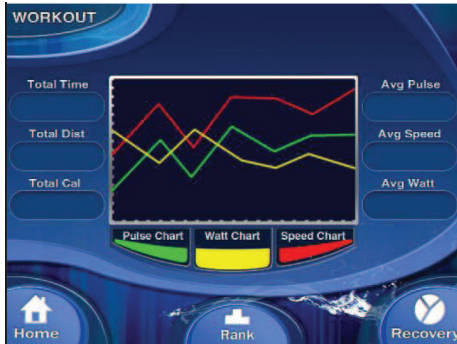


Note:

Not able to save workout in Guest mode.

Workout summary

A workout summary is displayed at the end of a workout.



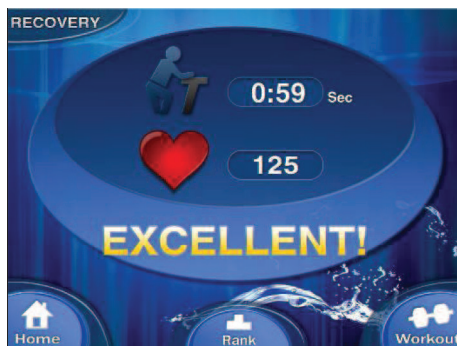
Press "Home" to go back to main window.

Press "Rank" to show ranking

- In rank mode, press "workout" to go back to workout window

	Name	Date/Time	Dist
1	Tommy	2011/12/25 18:30	2.7 Km
2	Sue	2011/12/30 07:30	2.1 Km
3	Alice	2011/12/12 08:00	1.8 Km
4			
5			
6			
7			
8			
9			
10			

Press "Recovery" to start recovery program.



Note:

Recovery mode requires heart rate reading.

Cleaning and maintenance

Defects and malfunctions Despite continuous quality control, defects and malfunctions caused by individual parts can occur in the equipment. In most cases, it will be sufficient to replace the defective part.

- If the equipment does not function properly, immediately contact the dealer.
- Provide the model number and the serial number of the equipment to the dealer. State the nature of the problem, conditions of use and purchase date.

Disclaimer

2014 Tunturi New Fitness BV.
All rights reserved

The product and the manual are subject to change. Specifications can be changed without further notice

Transport and storage



WARNING

Carry and move the equipment with at least two persons.

- Remain standing in front of the equipment on each side and take a sturdy grip at the handlebars. Lift the front of the equipment so as to lift the rear of the equipment on the wheels. Move the equipment and carefully put the equipment down. Place the equipment on a protective base to prevent damage to the floor surface.
- Move the equipment carefully over uneven surfaces. Do not move the equipment upstairs using the wheels, but carry the equipment by the handlebars.
- Store the equipment in a dry place with as little temperature variation as possible.

Warranty

The product has a warranty from the date of delivery (to be documented by invoice or delivery note).

Further information on warranty terms can be obtained from your local dealer.

The warranty terms may vary from one country to another. Damages caused by normal wear, overloading or improper handling are excluded from the warranty.

Damages caused by material or manufacturing faults are covered by the warranty and will be repaired or replaced at no cost.

Index

Willkommen	20
Warnhinweise zur Sicherheit	20
Elektrische Sicherheit	21
Zusammenbau	22
Verpackungsinhalt	22
Allgemeine Zusammenbau.....	22
Montageschritte	23
Gebrauch	25
Einstellen der Stützfüße	25
Einstellen der Horizontale Sitzposition.....	25
Einstellen der verticalen Sitzposition ..	25
Trainings	25
Pulsfrequenzmessung	26
Herzfrequenzmessung	26
Maximale Herzfrequenz.....	27
User interface	27
Display Funktionen	27
Key Funktionen.....	28
Extra Funktionen	28
Einschalten	28
Programme	29
Manueller modus	29
Beginner Modus	29
Advance Modus	30
Sporty Modus	30
Cardio Modus	31
Watt Modus	32
Recovery	32
Body fat	33
i-Console App	33
Inbetriebnahme.....	34
Benutzerdatensatz.....	34
Trainings Auswahl	35
Manuelle Einstellung	35
I-Route.....	35
Program.....	35
Watt-Einstellung	36
Kardio-Einstellung	36
Stop Training	36
Trainingszusammenfassun	36
Reinigung und Wartung	37
Transport und Lagerung	37
Garantie	37
Haftungsausschluss	37

Deutsch

Diese deutsche Bedienungsanleitung ist eine Übersetzung des englischen Textes. Es können keine Rechte auf diese Übersetzung abgeleitet werden.

Willkommen

Willkommen in der Welt von Tunturi New Fitness!

Vielen Dank, dass Sie dieses Gerät von Tunturi erworben haben. Tunturi bietet eine breite Palette an professionellen Fitnessgeräten wie beispielsweise Crosstrainern, Laufbändern, Trainingsfahrrädern, Rudergeräten und Vibrationsplatten. Die Tunturi Geräte sind für die ganze Familie geeignet - ganz egal, wie fit man ist. Weitere Informationen finden Sie auf unserer Website unter www.tunturi.com

Warnhinweise zur Sicherheit



WARNUNG

Lesen Sie die Warnhinweise zur Sicherheit und die Anweisungen. Werden die Warnhinweise zur Sicherheit und die Anweisungen nicht befolgt, kann dies zu Personenverletzungen und Schäden am Gerät führen. Bewahren Sie die Warnhinweise zur Sicherheit und die Anweisungen zur künftigen Bezugnahme auf.



WARNUNG

Herzfrequenz-Überwachungssysteme können ungenau sein. Eine Überanstrengung kann zu schweren Schädigungen oder zum Tod führen. Wenn Sie sich schwach oder ohnmächtig fühlen, stellen Sie die Übungen unverzüglich ein.

- Das Gerät ist nur für den Heim- und gewerblichen Gebrauch (z.B. Krankenhäuser, Feuerwachen, Hotels, Schulen, usw.) geeignet. Die maximale Verwendung ist auf 6 Stunden pro Tag beschränkt. Das Gerät ist nicht für den ausschließlichen gewerblichen Einsatz (z.B. große Fitnessstudios) geeignet.

- Wenn dieses Gerät von Kindern oder Personen mit körperlicher, sensorischer, geistiger oder motorischer Behinderung verwendet wird, oder wenn nicht genügend Erfahrung und Kenntnisse vorhanden sind, kann dies zu Gefahrensituationen führen. Personen, die für deren Sicherheit verantwortlich sind, müssen klare Anweisungen geben oder den Gebrauch des Geräts beaufsichtigen.
- Bevor Sie Ihr Training starten, nehmen Sie Kontakt mit einem Arzt auf, um Ihre Gesundheit kontrollieren zu lassen.
- Falls Sie Übelkeit, ein Schwindelgefühl oder andere anormale Symptome verspüren, hören Sie unverzüglich mit Ihrem Training auf und wenden Sie sich an einen Arzt.
- Um einen Muskelkater zu vermeiden, starten Sie jedes Training mit Aufwärmen und beenden Sie es mit Abkühlen. Denken Sie daran, sich am Ende des Trainings zu dehnen.
- Das Gerät ist nur für den Gebrauch in geschlossenen Räumen geeignet. Das Gerät ist nicht für den Gebrauch im Freien geeignet.
- Verwenden Sie das Gerät nur in Umgebungen mit ausreichender Belüftung. Verwenden Sie das Gerät nicht in zugiger Umgebung, damit Sie sich nicht erkälten.
- Verwenden Sie das Gerät nur in Umgebungen mit Umgebungstemperaturen zwischen 10 °C und 35 °C. Lagern Sie das Gerät nur in Umgebungen mit einer Umgebungstemperatur zwischen 5 °C und 45 °C.
- Verwenden und lagern Sie das Gerät nicht in feuchten Umgebungen. Die Luftfeuchtigkeit darf niemals 80% überschreiten.
- Verwenden Sie das Gerät nur bestimmungsgemäß. Verwenden Sie das Gerät nicht für einen anderen als für den in diesem Handbuch beschriebenen Zweck.
- Verwenden Sie das Gerät nicht, falls Teile beschädigt oder defekt sind. Ist ein Teil beschädigt oder defekt, wenden Sie sich an Ihren Händler.

- Halten Sie Ihre Hände, Füße und andere Körperteile von den beweglichen Teilen fern.
- Halten Sie Ihr Haar von den beweglichen Teilen fern.
- Tragen Sie entsprechende Kleidung und Schuhe.
- Halten Sie Kleidung, Schmuck und andere Gegenstände von den beweglichen Teilen fern.
- Vergewissern Sie sich, dass das Gerät nur von einer Person auf einmal verwendet wird. Das Gerät darf nicht von Personen verwendet werden, deren Gewicht 135 kg (300 lbs) überschreitet.
- Öffnen Sie das Gerät nicht, ohne vorher mit Ihrem Händler zu sprechen.

Elektrische Sicherheit

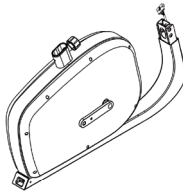
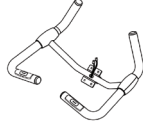
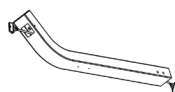

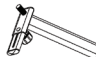

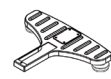






(betrifft nur elektrisch betriebene Geräte)

- Vergewissern Sie sich vor der Verwendung stets, dass die Netzspannung mit der Spannung auf dem Typenschild des Geräts übereinstimmt.
- Verwenden Sie kein Verlängerungskabel.
- Halten Sie das Netzkabel von Hitze, Öl und scharfen Kanten fern.
- Verändern Sie nichts am Netzkabel oder am Netzstecker
- Verwenden Sie das Gerät nicht, falls das Netzkabel oder der Netzstecker beschädigt oder defekt ist. Ist das Netzkabel oder der Netzstecker beschädigt oder defekt, wenden Sie sich an Ihren Händler.
- Wickeln Sie das Netzkabel immer vollständig ab.
- Lassen Sie das Netzkabel nicht unter dem Gerät entlanglaufen. Lassen Sie das Netzkabel nicht unter einem Teppich entlanglaufen. Stellen Sie keine Gegenstände auf das Netzkabel.
- Vergewissern Sie sich, dass das Netzkabel nicht über der Kante eines Tisches hängt. Vergewissern Sie sich, dass niemand versehentlich über das Netzkabel stolpert.

- Lassen Sie das Gerät nicht unbeaufsichtigt, wenn der Netzstecker in die Wandsteckdose eingesteckt ist.
- Ziehen Sie nicht am Netzkabel, um den Netzstecker aus der Wandsteckdose zu ziehen.
- Ziehen Sie den Netzstecker aus der Wandsteckdose, wenn das Gerät nicht verwendet wird, bevor es zusammengebaut oder zerlegt wird sowie vor der Reinigung und Wartung.

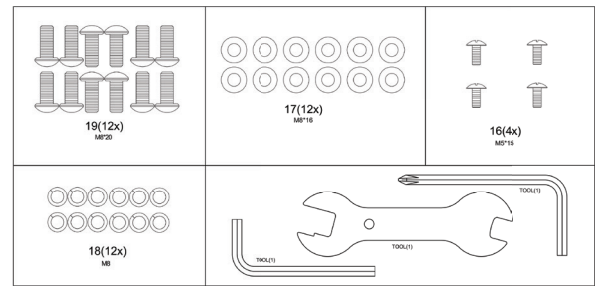
Zusammenbau

Verpackungsinhalt

	1	<ul style="list-style-type: none"> ▮ M8X20 ALLEN HEAD BOLT 12 ⊙ M8X16X1.2T WASHER 12 ⊙ M8 SPRING WASHER 12 ▮ M5X15 SCREW 4 ▮ M6X12 SCREW 2 ⊙ M6 SPRING WASHER 2 							
	1								
	1								
	1		1		1				
	1				1				
	1		1		1		1/1		1

Die Verpackung enthält die in Bild dargestellten Teile.

Fehlt ein Teil, wenden Sie sich an Ihren Händler.



Die Verpackung enthält die Befestigungsteile gemäß Bild. Siehe Abschnitt „Beschreibung“.

Fehlt ein Teil, wenden Sie sich an Ihren Händler.

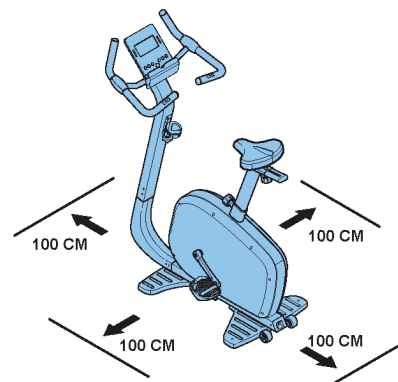
Allgemeine Zusammenbau

WARNUNG

- Bauen Sie das Gerät in der angegebenen Reihenfolge zusammen.
- Tragen und bewegen Sie das Gerät mit mindestens zwei Personen.

VORISCHT

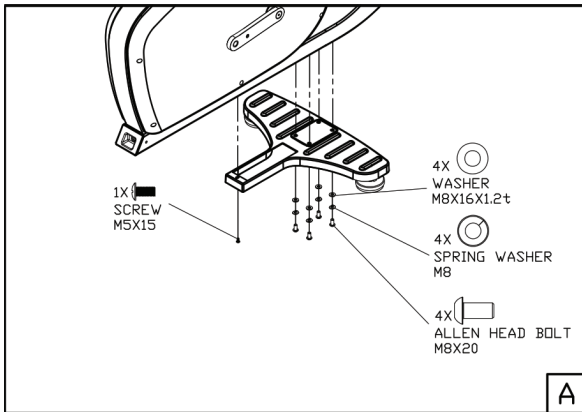
- Stellen Sie das Gerät auf festen, ebenen Boden.
- Stellen Sie das Gerät auf eine schützende Unterlage, um Schäden am Bodenbelag zu vermeiden.
- Sorgen Sie rund um das Gerät für einen Freiraum von mindestens 100 cm.



- Der richtige Zusammenbau des Geräts geht aus den Abbildungen hervor.

Montageschritte

Montageschritt A

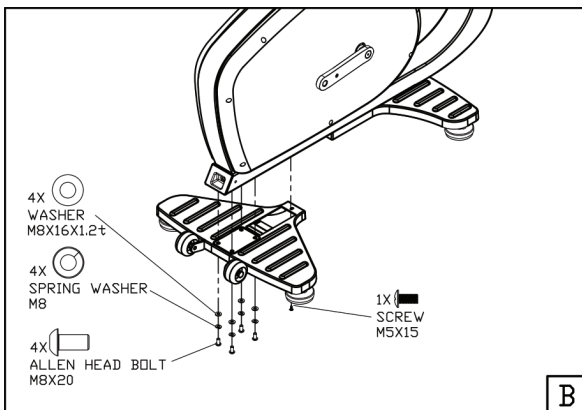


- Montiere den vordere Stabilisator mithilfe der gezeigten Hardware.

Bemerkung:

Platziere an erster Stelle alle Schrauben/Bolzen an der richtigen Stelle bevor diese vollständig zu befestigen

Montageschritt B

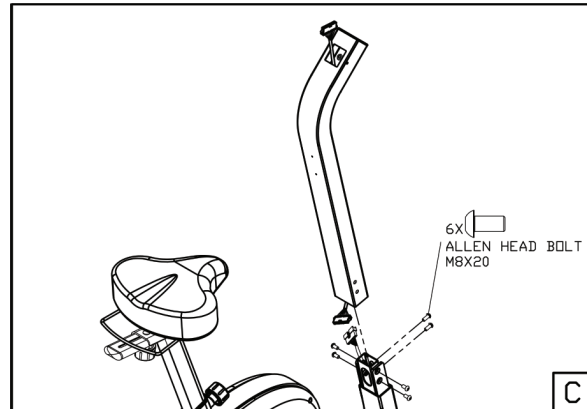


- Montiere den hinteren Stabilisator mithilfe der gezeigten Hardware.

Bemerkung:

Platziere an erster Stelle alle Schrauben/Bolzen an der richtigen Stelle bevor diese vollständig zu befestigen

Montageschritt C

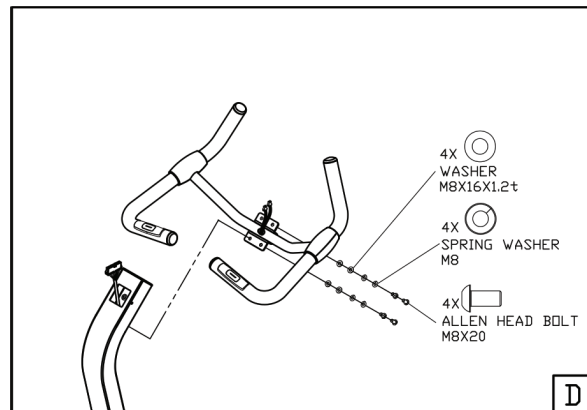


- Verbinde die Kabel vom Upright-Tube und Hauptrahmen bevor Sie den Upright tube in Position
- Verwenden Sie den Beiliegenden Inbus-Schlüssel um die Befestigungsschrauben zu befestigen (Uhrzeigersinn).

Bemerkung:

- Drehe alle 6 Bolzen erst handfest bevor diese nachgezogen werden um falsche Ausrichtung zu vermeiden.

Montageschritt D



- Ziehen Sie die Anschluss-Kabel für Hand-Pulse Sensoren durch die Öffnung Richtung Display Anschlusspunkt.

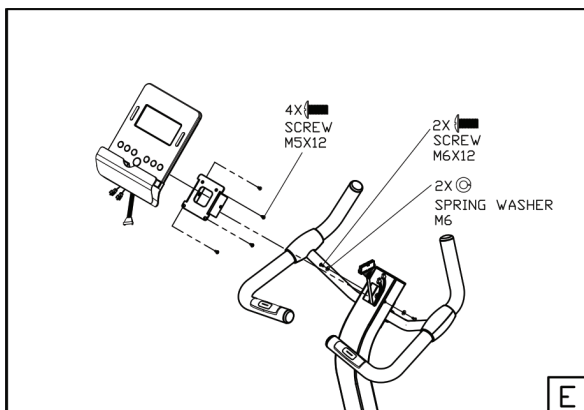
Hinweis:

Vermeiden Sie Beschädigung der Kabel während der Montage. Befestige den Handle bar an der Upright-Tube mithilfe der gezeigten Hardware.

Bemerkung:

Platziere an erster Stelle alle Schrauben/Bolzen an der richtigen Stelle bevor diese vollständig zu befestigen

Montageschritt E

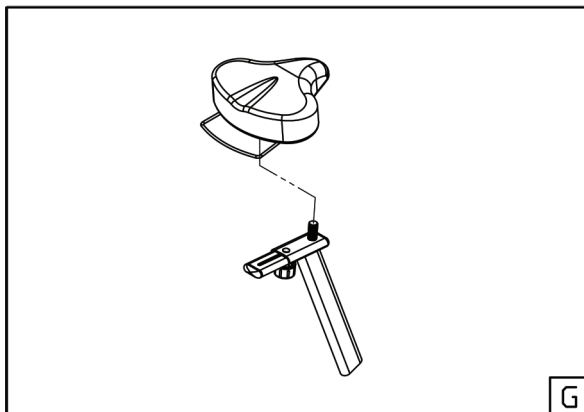


- Ziehen sie die Hand-Pulse wires aus der Handle bar und das Date-Cable aus dem Upright-Tube vorsichtig durch die Öffnung im Konsole-Bracket
- Entferne die 4 Montage-Schrauben aus der Rückseite der Konsole.
- Schließe die Hand-Pulse wire und das Data-Cable an, an der Konsole.
- Befestige die Konsole am Konsole-Bracket.

Bemerkung:

Vermeiden Sie Beschädigung der Kabel während der Montage. Upright-Tube mithilfe der

Montageschritt G

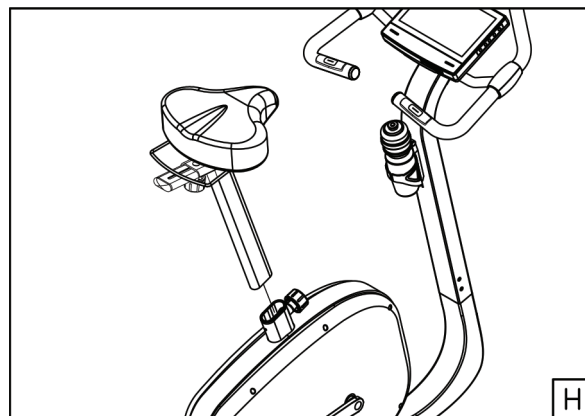


- Montiere den Seat auf dem Seat-Slider. Dieser ist schon vormontiert am Seat-Tube.

Bemerkung:

Bevor Nutzung des Trainers, bitte Kontrolliere ob alles richtig und fest montiert ist, und das der Sattel richtig befestigt ist.

Montageschritt H

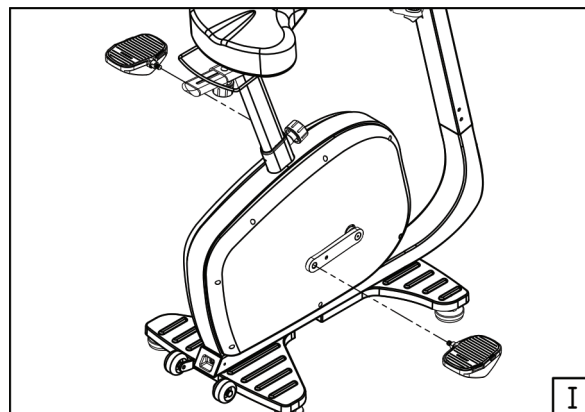


- Schiebe das Sitz Rohr im Hauptrahmen.

Bemerkung:

Der Druckknopf muss erst gelockert werden (drehen und ziehen) bevor man die Sitzhöhe einstellen kann. Der Knopf muss vollständig einrasten.

Montageschritt I



Hinweis:

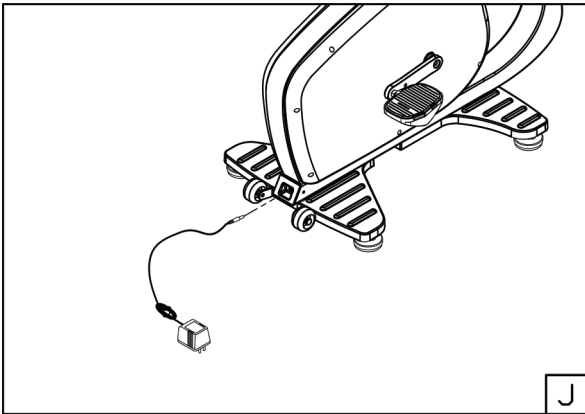
An den Pedalen und Pedal-Axle it eine Markierung Rechts (R) und Links (L).

- Befestige das Linke Pedal am Linken Crank (gegen den Uhrzeigersinn).
- Befestige das Rechte Pedal am Rechten Crank (Uhrzeigersinn).

Bemerkung:

Stellen Sie sicher, dass die Pedale vollständig nachgezogen sind

Montageschritt J



- Befestigen Sie den Transformator am Trainer bevor Sie diese in der Steckdose stecken.

Bemerkung:

Entfernen sie immer das Netzkabel wenn der Trainer nicht benutzt wird.

Gebrauch

Einstellen der Stützfüße

Das Gerät hat 4 Stützfüße. Steht das Gerät nicht stabil, kann es mit den Stützfüßen eingestellt werden.

- Drehen Sie die Stützfüße wie erforderlich, um das Gerät in eine stabile Position zu bringen.
- Ziehen Sie die Sicherungsmuttern an, um die Stützfüße zu sichern.



HINWEIS

Die Maschine steht am stabilsten, wenn alle vier Stützfüße vollständig eingeschraubt sind. Nivellieren Sie die Maschine daher, indem Sie alle Stützfüße vollständig eindrehen, bevor Sie die entsprechenden Füße zur Stabilisierung der Maschine wieder herausdrehen.

Einstellen der Horizontale Sitzposition.

Die Horizontale Sitzposition kann angepasst werden durch den Sitz in der gewünschten Position zu setzen.

- Lösen Sie den Sitz-Einstellknopf..
- Schieben Sie den Sitz in der gewünschten Position.
- Befestigen sie den Sitz-Einstellknopf

Einstellen der verticalen Sitzposition

Die vertikale Sitzposition kann durch Einstellen des Sitzes auf die erforderliche Position eingestellt werden.

- Lösen Sie den Sitzeinstellknopf.
- Bewegen Sie den Sitz in die erforderliche Position.

Ziehen Sie den Sitzeinstellknopf an.

Trainings

Das Training muss leicht und geeignet, aber von langer Dauer sein. AerobicÜbungen basieren auf der Verbesserung der maximalen Sauerstoffaufnahme des Körpers, was wiederum die Ausdauer und Fitness verbessert. Sie sollten während des Trainings zwar ins Schwitzen, aber nicht außer Atem kommen. Um eine Basisfitness zu erreichen und zu halten, üben Sie mindestens drei mal pro Woche 30 Minuten lang an einem Stück. Erhöhen Sie die Anzahl der Übungssitzungen, um Ihre Fitness zu verbessern. Es lohnt sich, die regelmäßigen Übungen mit einer gesunden Diät zu kombinieren. Personen, die Diät machen, sollten täglich zuerst 30 Minuten oder weniger an einem Stück üben und die tägliche Trainingszeit allmählich auf eine Stunde verlängern. Beginnen Sie Ihr Training mit niedriger Geschwindigkeit und geringem Widerstand, um zu vermeiden, dass das Herzkreislaufsystem einer übermäßigen Belastung ausgesetzt wird. Mit sich verbessernder Fitness können Geschwindigkeit und Widerstand allmählich erhöht werden. Die Wirksamkeit Ihrer Übungen kann durch Überwachung der Herzfrequenz und Ihrer Pulsfrequenz gemessen werden.

Pulsfrequenzmessung

(Handpulssensoren)

Die Pulsfrequenz wird durch Sensoren in den Handgriffen gemessen, wenn der Benutzer beide Sensoren gleichzeitig anfasst.



WARNUNG

Herzfrequenz-Überwachungssysteme können ungenau sein. Eine Überanstrengung kann zu schweren Schädigungen oder zum Tod führen. Wenn Sie sich schwach oder ohnmächtig fühlen, stellen Sie die Übungen unverzüglich ein.

Die genaueste Pulsmessung wird erzielt, wenn die Haut etwas feucht ist und die Handpulssensoren konstant berührt werden. Ist die Haut zu trocken oder zu feucht, kann die Pulsfrequenzmessung weniger genau ausfallen.



HINWEIS

Verwenden Sie die Handpulssensoren nicht in Kombination mit einem Herzfrequenz-Brustgürtel. Wenn Sie sich einen Herzfrequenz-Grenzwert für Ihr Training setzen, ertönt beim Überschreiten ein Signal.

Herzfrequenzmessung

(Herzfrequenz-Brustgürtel)

Die genaueste Herzfrequenzmessung lässt sich mit einem Herzfrequenz-Brustgürtel erzielen. Die Herzfrequenz wird mit einem Herzfrequenzempfänger in Kombination mit einem Herzfrequenz-Sendegürtel gemessen. Für eine genaue Herzfrequenzmessung ist es erforderlich, dass die Elektroden am Sender etwas feucht sind und die Haut konstant berühren. Sind die Elektroden zu trocken oder zu feucht, kann die Herzfrequenzmessung weniger genau ausfallen.



HINWEIS

Falls Sie einen Schrittmacher haben, wenden Sie sich zunächst an einen Arzt, bevor Sie einen Herzfrequenz-Brustgürtel verwenden



VORSICHT

- Falls sich mehrere Herzfrequenz-Messgeräte in gegenseitiger Nähe befinden, vergewissern Sie sich, dass der Abstand zwischen ihnen mindestens 2 Meter beträgt.
- Falls nur ein Herzfrequenzempfänger und mehrere Herzfrequenzsender vorhanden sind, vergewissern Sie sich, dass nur eine Person mit einem Sender in Sendereichweite ist.



HINWEIS

- Verwenden Sie keinen Herzfrequenz-Brustgürtel in Kombination mit den Handpulssensoren.
- Tragen Sie den Herzfrequenz-Brustgürtel stets mit direktem Hautkontakt unter Ihrer Kleidung. Tragen Sie den Herzfrequenz-Brustgürtel nicht auf Ihrer Kleidung. Falls Sie den Herzfrequenz-Brustgürtel auf Ihrer Kleidung tragen, gibt es kein Signal.
- Wenn Sie sich einen Herzfrequenz-Grenzwert für Ihr Training setzen, ertönt beim Überschreiten ein Signal.
- Der Sender überträgt die Herzfrequenz in einem Abstand bis zu 1,5 Meter zur Konsole. Sind die Elektroden nicht feucht, erscheint die Herzfrequenz nicht auf der Anzeige.
- Einige Fasern in der Kleidung (z.B. Polyester, Polyamid) erzeugen statische Elektrizität, die eine genaue Herzfrequenzmessung verhindern kann.
- Mobiltelefone, Fernsehgeräte und andere Elektrogeräte erzeugen ein elektromagnetisches Feld, das eine genaue Herzfrequenzmessung verhindern kann.

Maximale Herzfrequenz

(während des Trainings)

Die maximale Herzfrequenz ist die höchste Herzfrequenz, die eine Person durch Übungsbelastung sicher erzielen kann. Folgende Formel wird zur Berechnung der durchschnittlichen maximalen Herzfrequenz verwendet: $220 - \text{ALTER}$. Die maximale Herzfrequenz variiert von Person zu Person.



WARNUNG

Stellen Sie sicher, dass Sie während des Trainings Ihre maximale Herzfrequenz nicht überschreiten. Falls Sie einer Risikogruppe angehören, wenden Sie sich an einen Arzt.

Anfänger: (50-60% der maximalen Herzfrequenz)

Geeignet für Anfänger, Gewicht-Beobachter, Genesende und Personen, die schon lange nicht mehr trainiert haben. Trainieren Sie mindestens dreimal pro Woche 30 Minuten an einem Stück.

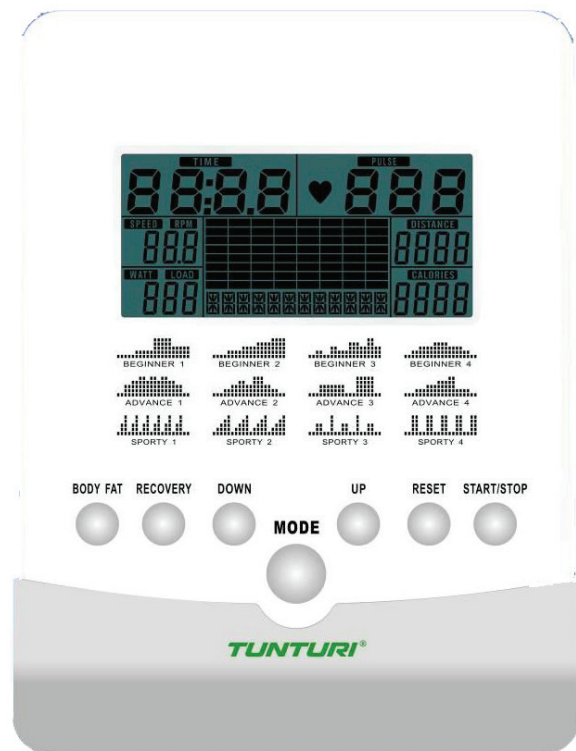
Fortgeschritten: (60-70% der maximalen Herzfrequenz)

Geeignet für Personen, die ihre Fitness verbessern und halten wollen. Trainieren Sie mindestens dreimal pro Woche 30 Minuten an einem Stück.

Experte: (70-80% der maximalen Herzfrequenz)

Geeignet für die fittesten Personen, die sich an lange Ausdauertrainings gewöhnt haben.

User interface



Display Funktionen

Time Fenster :

Zeigt Trainingszeit während des Trainings

Speed Fenster :

Zeigt Geschwindigkeit während des Trainings

RPM Fenster:

Zeigt Umdrehungen pro Minute während des Trainings

Pulse Fenster:

Zeigt Herzfrequenz in bpm während des Trainings .

Distance Fenster:

Zeigt Abstand während des Trainings

Calories Fenster:

Zeigt verbrannte Kalorien während des Trainings

Key Funktionen

Total reset :

Konsole herstartet in den Fabriks-Einstellungen.

Recovery Taste :

Test Status vom Herzfrequenz Wiederherstellung

Down Taste :

Im Setting - niedrigeren Wert einstellen.

Mode Taste:

Bestätigung der Einstellung oder Auswahl

Up Taste:

Im Setting - höheren Wert einstellen.

Reset Taste:

Zum Resetten ins Hauptmenu (alle angezeigte Daten werden gelöscht) Taste 2 Sekunden eindrücken.

Start/ stop Taste:

Start Training wenn im Ruhemodus.
Stop / pause wenn das Training im aktiv-Modus ist.

Extra Funktionen

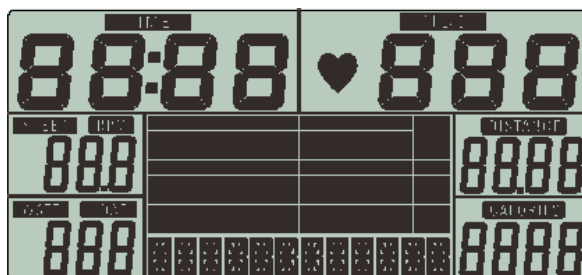
- Wählen Sie Geschwindigkeit/ Distanz Einheiten - Metrisch / Imperial mithilfe des Schalters an der Rückseite der Konsole . Batterien müssen neu eingesetzt werden um die Änderung zu speichern.
- Wählen Sie die Temperatureinheit mithilfe des Schalters C/F an der Rückseite der Konsole . Batterien müssen neu eingesetzt werden um die Änderung zu speichern.
- Scan Symbol wird in der oberen linken Ecke angezeigt wenn die Konsole im Scan-Modus eingestellt ist. Sie können den Scan-Modus ein- und ausschalten durch die Enter-Taste im Trainings Programm umzuschalten e.
- Wen ein oder mehrere Ziele

eingestellt werden wird der Zielwert angezeigt und gezählt bis "0"erreicht wird.

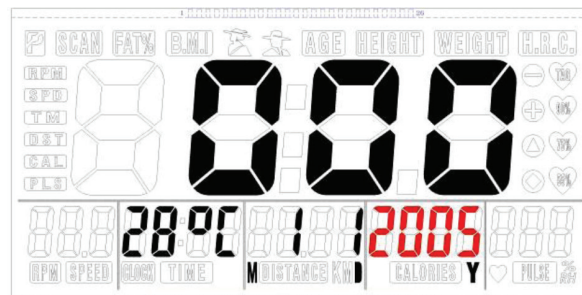
- Die Konsole funktioniert mit 2x1.5V AA Batterien auf der Rückseite der Konsole.

Einschalten

Drücke und halte die "reset" Taste 3 Sekunde und die Konsole wird eingeschaltet. Alle Segmente auf dem Display werden 2 Sekunden angezeigt.



Presse die Up/ Down Taste um den Kalender und die Zeiteinstellung richtig einzustellen. Drücken sie die Mode Taste zur Bestätigung.



Bemerkung:

Nach 4 Minuten ohne "Bewegung: oder Dateneingang wird die Konsole im Energie-Modus schalten. Drücken Sie eine Taste um die Konsole wieder einzuschalten.

Programme

- Schalten Sie die Konsole an oder benutze die Reset Funktion um zurück zum Hauptmenü zu gehen.
- Drücken Sie Up oder Down-Taste, selektiere Workout-Programm.
- Verfügbare Programme sind: Kurzanleitung, Manual, Beginner, Advance, Sporty, Cardio und Watt Programm.

Manueller modus



Für Schnell-start;

- drücken Sie Start/Stop-Taste um das Training ohne jede Voreinstellung zu starten.

Während des Trainings können Sie die Up/Down-Taste drücken um den Widerstand einzustellen.

Schnellstart-Modus wird beendet, wenn der Trainer, länger als 4 Minuten keine Eingabe bekommt oder beim eindrücken der Start/Stop-Taste.

Wenn Sie den manuellen Modus einstellen möchten müssen Sie;

- Drücken Sie Up/Down-Taste, um den manuellen Modus zu wählen und drücken Sie die Mode Taste für das nächste Eingabefeld vom manuellen Programm.
- Drücken Sie die Up/Down-Taste, um die voreingestellte Trainingszeit einzustellen und drücken Sie die Mode-Taste, um die Einstellung zu bestätigen.



Bemerkung:

Wenn Sie mehr als ein Ziel festlegen, endet das Training am ersten erzielten Ziel.

Wenn ein Ziel leer gelassen wird, wird es nicht als Ziel gesehen werden, und ist daher keinen voreingestellten Grenzwert.

- Drücken Sie Start/Stop-Taste, um das Training zu starten.
- Drücken Sie Up/Down Taste, um den Widerstand zu regulieren.
- Drücken Sie Start / stop-Taste um das Training zu unterbrechen.
- Drücken Sie die Reset- Taste um zum Hauptmenü zurückzukehren. (aktive Trainingsdaten werden gelöscht).

Beginner Modus



- Drücken Sie die Up/Down-Taste, wählen Sie Workout-Programm, wählen Sie Beginner Modus und drücken Sie die Mode Taste um das. nächste Einstellungsmenü für Beginner -Modus.einzugeben.
- Es können 4 Beginner-Modi ausgewählt werden: Beginner 1, Beginner 2, Beginner 3 und Beginner 4. Wählen Sie eine mithilfe von Up/ Down Taste und bestätigen Sie durch drücken der Mode-Taste.

BEGINNER 1



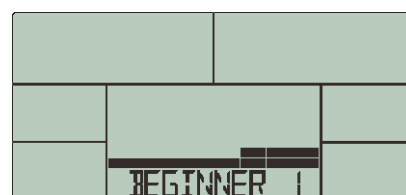
BEGINNER 2



BEGINNER 3



BEGINNER 4



- Drücken Sie die Up/Down-Taste, um die voreingestellte Trainingszeit einzustellen und drücken Sie die

Mode-Taste, um die Einstellung zu bestätigen.

- Nach bestätigen können Sie auch : Entfernung, Kalorien und Puls einstellen.



Bemerkung:

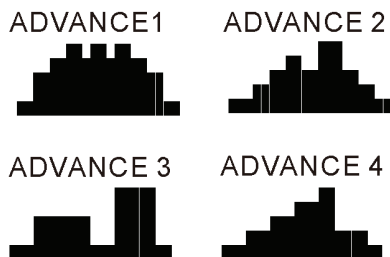
Wenn Sie mehr als ein Ziel festlegen, endet das Training am ersten erzielten Ziel.

- Drücken Sie Start/Stop-Taste, um das Training zu starten.
- Drücken Sie die Up/Down Taste um den Widerstand zu regulieren.
- Drücken Sie die Reset- Taste um zum Hauptmenü zurückzukehren. (aktive Trainingsdaten werden gelöscht).

Advance Modus



- Drücken Sie die Up/Down-Taste, wählen Sie Workout-Programm, wählen Sie Advance Modus und drücken Sie die Mode Taste um das. nächste Einstellungsmenü für Beginner -Modus.einzugeben.
- Es können 4 Advance Modi ausgewählt werden: Advance 1, Advance 2, Advance 3 und Advance 4. Wählen Sie eine mithilfe von Up/ Down Taste und bestätigen Sie durch drücken der Mode-Taste.



- Drücken Sie die Up/Down-Taste, um die voreingestellte Trainingszeit einzustellen und drücken Sie die Mode-Taste, um die Einstellung zu bestätigen.
- Nach bestätigen können Sie auch : Entfernung, Kalorien und Puls einstellen.



Bemerkung:

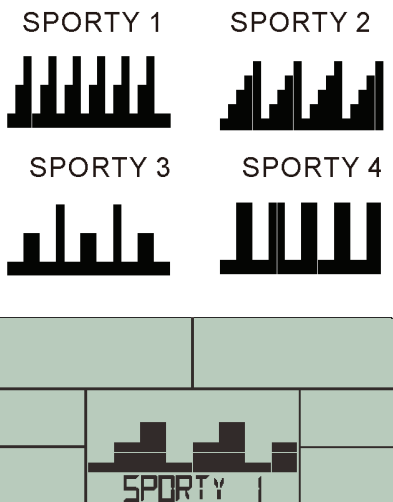
Wenn Sie mehr als ein Ziel festlegen, endet das Training am ersten erzielten Ziel.

- Drücken Sie Start/Stop-Taste, um das Training zu starten.
- Drücken Sie die Up/Down Taste um den Widerstand zu regulieren.
- Drücken Sie die Reset- Taste um zum Hauptmenü zurückzukehren. (aktive Trainingsdaten werden gelöscht).

Sporty Modus



- Drücken Sie die Up/Down-Taste, wählen Sie Workout-Programm, wählen Sie Sporty Modus und drücken Sie die Mode Taste um das. nächste Einstellungsmenü für Beginner -Modus.einzugeben.
- Es können 4 Sporty Modi ausgewählt werden: Sporty 1, Sporty 2, Sporty 3 und Sporty 4. Wählen Sie eine mithilfe von Up/ Down Taste und bestätigen Sie durch drücken der Mode-Taste.



- Drücken Sie die Up/Down-Taste, um die voreingestellte Trainingszeit einzustellen und drücken Sie die Mode-Taste, um die Einstellung zu bestätigen.
- Nach bestätigen können Sie auch : Entfernung, Kalorien und Puls einstellen.



Bemerkung:

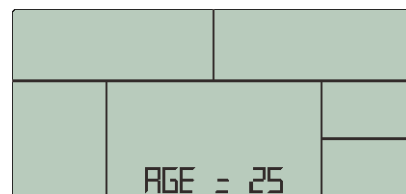
Wenn Sie mehr als ein Ziel festlegen, endet das Training am ersten erzielten Ziel.

- Drücken Sie Start/Stop-Taste, um das Training zu starten.
- Drücken Sie die Up/Down Taste um den Widerstand zu regulieren.
- Drücken Sie die Reset- Taste um zum Hauptmenü zurückzukehren. (aktive Trainingsdaten werden gelöscht).

Cardio Modus



- Drücken Sie die Up/Down-Taste, um das Programm zu wählen. Wählen Sie Cardio Modus. Drücke Mode Taste für das nächste Einstellungsmenu.
- Drücken Sie die Up/Down Taste zum Festlegen ihres Alters und bestätigen Sie durch Drücken der Mode Taste.



Es können 4 Cardio-Modi ausgewählt werden: 55%, 75%,90% or TAG (Ziel Herzfrequenz). Standard ist 100. Wählen Sie eine mithilfe von Up/Down Taste und bestätigen Sie durch drücken der Mode Taste.



- Drücken Sie Up/Down Taste und selektieren Sie eine voreingestellte Trainingszeit, bestätigen mit Mode Taste.
- Drücken Sie Start/Stop Taste um das Training zu unterbrechen.
- Drücken Sie die Reset-Taste um zum Hauptmenü zurückzukehren. (aktive Trainingsdaten werden gelöscht).



Bemerkung: Nach 6 Sekunden ohne Pulse Eingabe, wird das LCD "Puls Input" anzeigen um den Benutzer zu warnen.

Watt Modus



- Drücken Sie Up/Down Taste und selektieren Sie ein voreingestelltes Programm, Drücke Mode Taste für das nächste Einstellungsmenu.
- Drücken Sie die Up/Down Taste und stellen Sie ein Watt Ziel (Standard ist 120) bestätigen mit Mode Taste.



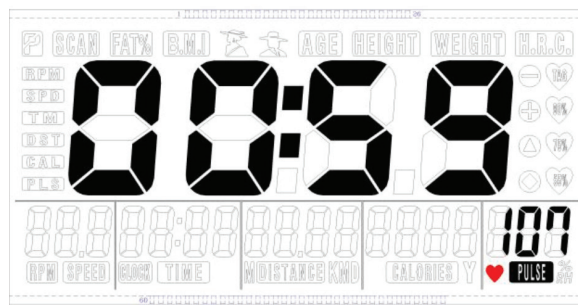
- Drücken Sie Up/ Down Taste und selektieren Sie eine voreingestellte Trainingszeit, bestätigen mit Mode Taste.
- Die Konsole wird den Widerstand anpassen zum Widerstand um das Watt Ziel und Trainings Status.



- Sie können das Watt-Ziel während des Trainings, mit der Up/ Down Taste, ändern.
- Drücken Sie Start/Stop Taste um das Training zu unterbrechen.
- Drücken Sie die Reset-Taste um zum Hauptmenü zurückzukehren. (aktive Trainingsdaten werden gelöscht).

Recovery

- Nach dem Training, die Handgrif-Sensore festhalten. Bis die Aktuelle Herzfrequenz angezeigt wird
- Drücken Sie den Recovery Taste und platzieren Sie die Hände auf die Handgrif-Sensore
- Alle Funktionen werden gestoppt außer "TIME" diese wird runterzählen von 00:60 bis 00:00.



- Das LCD wird Ihre Herzfrequenz Erholung mit F1, F2...to F6.

F1 ist das beste Resultat und F6 die schlechteste drücken Sie die RECOVERY Taste nochmals um zurückzukehren ins Hauptmenu



i HINWEIS

Während der Erholung – nochmals "RECOVERY" eindrücken – Konsole zurück zur vorige Seite.

Bemerkung:

Der Erholungs-Index ist in Bezug auf die Herzfrequenz-Frequenz am Anfang und Ende der Messung.

Body fat

Stopp Modus – drücken Sie den Taste Body Fat um diese Funktion zu starten

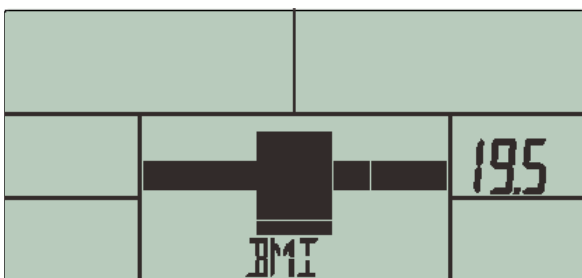
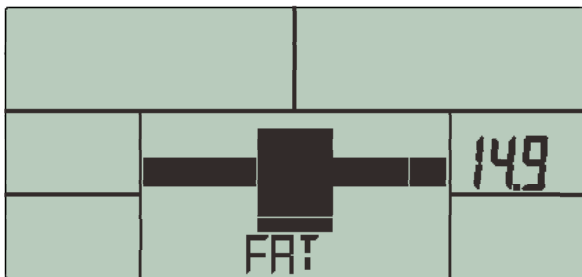
- Lege Geschlecht ein durch Up/Down tasten einzudrücken – bestätigen mit dem „Mode“ Taste zu drücken
- Lege Alter ein durch Up/Down tasten einzudrücken – bestätigen mit dem „Mode“ Knop
- Lege Körpergröße ein durch Up/Down tasten einzudrücken – bestätigen mit dem „Mode“ Knop
- Lege Gewicht ein durch Up/Down tasten einzudrücken – bestätigen mit dem „Mode“ Knop

Nach Eingabe und Bestätigung, bitte Handgriff-Sensore festhalten



HINWEIS

Wenn die Handgriff-Sensore nicht richtig benutzt werden, dann kann die Konsole keine Werte Zeigen “---- “ “ ----”.



HINWEIS

Body Fat Programm sind:
 LCD zeigt “---- “ “ ----”:
 Handgriffe suchen nach Werte
 E1: Keine Herzfrequenz gemessen in den letzten 5 Sekunden .
 E4: wenn FET% ist unter 5% oder über 50%. wenn BMI ist unter 5 oder über 50.

i-Console App

Wir haben ein App entwickelt, den Sie auf Ihren 10" Tablett von App Store herunterladen können (iOS: i-Pad) oder Google Play (Android Markt: Samsung, HTC, LG etc.). Sie müssen lediglich TUNTURI eingeben und das App wird gesucht und gefunden. Dies bietet Ihnen mehr Möglichkeiten, unser Produkt in Kombination mit Ihrem 10" Tablet zu nutzen.

Um das App zu starten, müssen Sie Ihr Tablett über Bluetooth verbinden und nach TUN-xxx (Nummer) suchen! Das Passwort, das Sie zur Verbindung verwenden müssen, lautet 0000 (4 mal Null).

“Made for i-Pad” bedeutet, dass ein elektronisches Zubehör so konstruiert wurde, dass es speziell mit dem iPad verbunden werden kann und vom Entwickler dahingehend zertifiziert wurde, dass es den Apple Leistungsstandards entspricht. Apple haftet nicht für den Betrieb dieses Geräts oder für dessen Kompatibilität im Hinblick auf Sicherheit und Vorschriften. Beachten Sie bitte, dass die Verwendung dieses Zubehörs mit dem iPad die Drahtlos-Leistung beeinträchtigen kann.

i-Pad ist Warenzeichen von Apple Inc., registriert in den U.S.A. und anderen Ländern.



Hinweis

Sobald die Konsole über Bluetooth mit dem Tablet verbunden ist, schaltet die Konsole aus.

- Für das iOS System: Bitte beenden Sie das i-Console App und schalten Sie das Bluetooth vom iPad aus. Anschließend schaltet die Konsole wieder ein

Inbetriebnahme

Verbinden:

- Drücken Sie auf "Connect", das i-Console App sucht das Bluetooth Gerät automatisch.
- Wählen Sie das entsprechende Bluetooth Signal und beginnen Sie das Training.



Help:

Drücken Sie auf "Help", ein Menu wird gezeigt, wenn vorhanden.

Exit:

Drücken Sie auf "Exit" um die Anwendung zu schließen.

Knowledge:

Taste "Knowledge" um extra Information zu zeigen, wenn vorhanden.

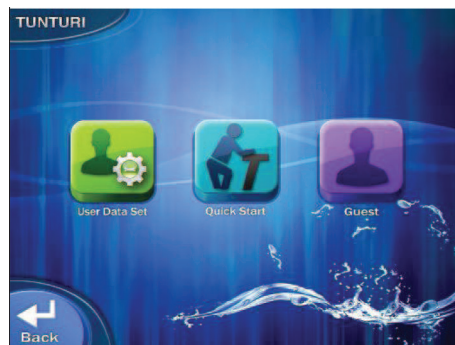
Setting:

Vor dem Verbinden mit Bluetooth kann der Benutzer die Einstellungen unter "System" ändern. (Einheit / Sprache / Passwort)



Drücken Sie auf "Back", um zur vorherigen Einstellung zurückzukehren.

Benutzerdatensatz



User data set:

Drücken Sie auf „User data set“ für Voreinstellung / Bearbeiten / Löschen / Benutzerwahl.

Quick start:

Drücken Sie auf "Quick Start" um das Training im Manual Modus zu starten.

Guest:

Drücken Sie auf "Guest" um das Training ohne voreingestellte Daten zu starten.

Drücken Sie auf "Back", um zur vorherigen Einstellung zurückzukehren.



Wähle Gebraucher durch Benützung der Navigation Tasten. oder Taste "Back", um zur vorherigen Einstellung zurückzukehren.



Erstellen/ändern der Benutzereinstellungen:
Sie können untenstehende Möglichkeiten Wählen.

- Avatar Farbe.
- Alter
- Größe
- Gewicht
- Hintergrundfarbe.

Drücken Sie auf "Next" um diese Einstellung zu Bestätigen und kehre zurück zum Bearbeitungsmenu. Oder drücke "Exit" und kehre zurück zum Bearbeitungsmenu, ohne Änderungen.

Trainings Auswahl

Nach Wahl des Benutzers kann dieser das Training mit i-Route; PROGRAM; WATT; PROGRAM SUGGEST starten



Manuelle Einstellung

Wählen Sie MANUAL, voreingestellte Time/ Dist/ Cal und drücken Sie auf die "Start" Taste oder "Back", um zur vorherigen Einstellung zurückzukehren.



I-Route

Durch Wahl von i-Route kann der Benutzer das Land und die entsprechende Route wählen., oder "Back", um zur vorherigen Einstellung zurückzukehren



Drücke/ Press/ Swipe die Skizze um die Ansicht zu wechseln.

Program

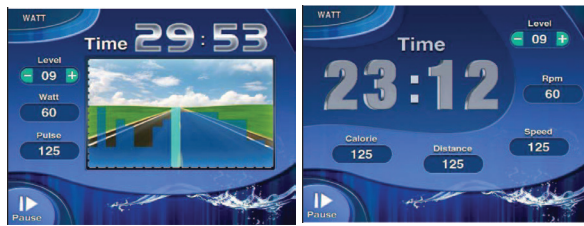
Wählen Sie PROGRAM, Sie können PROGRAM1~12 und USER PROGRAM wählen



Stelle; Zeit/Abstand/Kalorien ein und Drücken Sie auf die "Start" Taste um das Training zu beginnen. Oder, Drücken sie auf "Back" um zurückzukehren zu den vorigen Einstellungen.

Watt-Einstellung

Wähle Watt und stelle die Watt Zahl und Zeit ein und starte das Training.



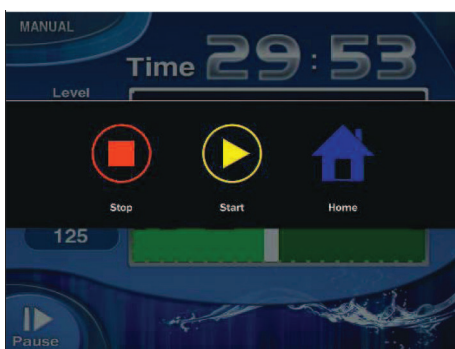
Drücke/ Press/ Swipe die Skizze um die Ansicht zu wechseln.

Kardio-Einstellung

Wählen Sie CARDIO und die voreingestellten Puls- und Zeit-Werte, um das Training zu starten.



Stop Training



Drücken Sie auf "Start" um das Training fortzusetzen.
 Drücken Sie auf "Home" um die Anwendung zu Schließen.
 Drücken Sie auf Stop, um das Training zu beenden und zum Hauptmenu zurückzukehren.



Wähle "yes" um das Training zu speichern.
 Wähle "No" um zurückzukehren zum Programm-Modus, ohne Daten zu speichern.

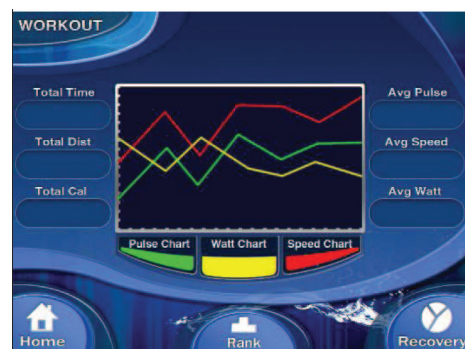


Hinweis

Im Gast-Modus ist es nicht möglich Daten zu speichern.

Trainingszusammenfassung

Am Ende des Trainings wird eine Trainingszusammenfassung angezeigt.



Taste "Home" um zurückzukehren zum Hauptmenu,
 Taste "Rank" um die Rangliste zu zeigen.
 Im Ranglisten-Modus, drücke die "workout" Taste um zurückzukehren zum Trainings Fenster.



Taste "Recovery" zum starten des Erholungs-Programm.



Hinweis

Das Erholungs-Programm erfordert Herzfrequenzmessung.

Reinigung und Wartung

Störungen und Fehlfunktionen

Trotz ständiger Qualitätskontrolle können durch Einzelteile verursachte Störungen und Fehlfunktionen am Gerät auftreten. In den meisten Fällen ist es ausreichend, das defekte Teil zu erneuern.

- Falls das Gerät nicht ordnungsgemäß funktioniert, wenden Sie sich unverzüglich an den Händler.
- Nennen Sie dem Händler Modell- und Seriennummer des Geräts. Schildern Sie die Art des Problems, die Gebrauchsbedingungen und das Kaufdatum.

Transport und Lagerung



WARNUNG

Tragen und bewegen Sie das Gerät mit mindestens zwei Personen.

- Bleiben Sie vor dem Gerät auf beiden Seiten und halten Sie die Handgriffe sicher fest. Heben Sie die Vorderseite des Geräts an, damit die Hinterseite auf die Räder gehoben wird. Bewegen Sie das Gerät und setzen Sie es vorsichtig

ab. Stellen Sie das Gerät auf eine schützende Unterlage, um Schäden am Bodenbelag zu vermeiden.

- Bewegen Sie das Gerät vorsichtig über unebene Böden. Bewegen Sie das Gerät nicht auf den Rädern Treppen herauf, sondern tragen Sie es an den Handgriffen.
- Lagern Sie das Gerät an einem trockenen Ort mit möglichst wenig Temperaturschwankungen.

Garantie

Die Garantie des Produkts beginnt ab dem Kaufdatum (muss durch Rechnung oder Lieferschein belegt werden). Weitere Informationen über Garantiebedingungen erhalten Sie bei Ihrem regionalen Händler. Die Garantiebedingungen können von Land zu Land variieren. Durch normalen Verschleiß, Überlastung oder falsche Handhabung verursachte Schäden sind von der Garantie ausgenommen. Durch Material- oder Fertigungsfehler verursachte Schäden sind von der Garantie abgedeckt und werden kostenlos instandgesetzt.

Haftungsausschluss

2014 Tunturi New Fitness BV
Alle Rechte vorbehalten.

Produkt und Handbuch können geändert werden. Die technischen Daten können ohne Vorankündigung geändert werden.

Index

Bienvenue	38
Avertissements de sécurité	38
Sécurité électrique	39
Assemblage	40
parties sur la boîte	40
Kit de matériel.....	40
Assemblage.....	40
Étapes d'assemblage	40
Usage	43
Réglage des pieds de support.....	43
Regler la position du siege horizontal	43
Réglage de la position verticale de la selle	43
Exercices	44
Mesure du pouls	44
Mesure de la fréquence cardiaque	44
Fréquence cardiaque maximum	45
Interface de l'utilisateur	46
Fonctions de l'écran	46
Fonctions des touches :.....	46
Fonctions supplémentaires.....	47
Mise sous tension	47
Programmes	47
Manual mode.....	47
Beginner Mode	48
Advance Mode	48
Sporty Mode	49
Cardio Mode	50
Watt Mode	50
Recovery	51
Body fat	51
I-Console App	52
Démarrage.....	52
Parametres de l'utilisateur	53
Ensemble de donnees de l'utilisateur.	53
Selection de l'entrainement	54
Programme manuel.....	54
I-Route.....	54
Programme.....	54
Watt Control.....	54
Cardio control	55
Arreter l'entrainement.....	55
Resume de l'entrainement.....	55
Nettoyage et maintenance	56
Transport et rangement	56
Garantie	56
Limite de responsabilité	56

Français

Ce manuel français est une traduction de la version anglaise. Notez que la version anglaise est en tête dans le contenu lorsque des différences sont trouvées.

Bienvenue

Bienvenue dans l'univers de Tunturi New Fitness ! Merci pour votre achat de cet élément d'équipement Tunturi. Tunturi offre toute une gamme d'équipements de fitness professionnels, notamment des vélos elliptiques, tapis de course, vélos d'appartement, rameurs et plateformes vibrantes. Les équipements Tunturi sont parfaits pour toute la famille, quel que soit le niveau de forme de ses membres. Pour en savoir plus, visitez notre site Web www.tunturi.com

Avertissements de sécurité



AVERTISSEMENT

Lisez les avertissements de sécurité et les instructions. Le non-respect des avertissements de sécurité et des instructions est une source de blessure et de dégâts de l'équipement. Conservez les avertissements de sécurité et les instructions pour référence ultérieure.



AVERTISSEMENT

Les systèmes de suivi de la fréquence cardiaque peuvent être inexacts. Un exercice excessif peut entraîner des blessures graves voire mortelles. Si vous vous sentez défaillir, interrompez immédiatement l'exercice.

- L'équipement est adapté à un usage domestique et professionnel uniquement (par ex. hôpitaux, caserne de pompiers, hôtels, écoles, etc.). La durée d'utilisation maximum est limitée à 6 heures par jour. L'équipement n'est pas adapté à un usage commercial complet (par ex. grands centres de gym).
- L'emploi de cet équipement par des enfants ou des personnes affectés d'un handicap physique, sensoriel, mental ou moteur, voire dont l'expérience ou les connaissances

s'avèrent insuffisantes est une source de risques. Les personnes chargées de leur sécurité doivent leur fournir des instructions explicites ou superviser leur usage de l'équipement.

- Avant de commencer vos exercices, effectuez un bilan de santé auprès d'un médecin.
- Si vous êtes pris de nausées ou de vertiges ou sentez d'autres symptômes anormaux pendant l'entraînement, interrompez immédiatement la session et consultez votre médecin.
- Afin d'éviter toutes douleurs et tensions musculaires, commencez vos séances par des échauffements et terminez-les par une récupération. N'oubliez pas de vous étirer après vos exercices.
- L'équipement est uniquement adapté à un usage intérieur. L'équipement ne convient pas à un usage extérieur.
- Utilisez l'équipement uniquement dans des environnements correctement ventilés. N'utilisez pas l'équipement dans des endroits exposés aux courants d'air afin de ne pas vous enrhumers.
- Utilisez l'équipement uniquement à une température ambiante entre 10 °C et 35 °C. Rangez l'équipement uniquement à une température ambiante entre 5 °C et 45 °C.
- N'utilisez et ne rangez pas l'équipement dans un environnement humide. L'humidité de l'air ne doit jamais dépasser 80 %.
- Utilisez l'équipement uniquement pour son usage prévu. N'utilisez pas l'équipement pour d'autres usages que ceux décrits dans le manuel.
- N'utilisez pas l'équipement si l'une de ses pièces est endommagée ou défectueuse. Si une pièce est endommagée ou défectueuse, contactez votre revendeur.
- Maintenez vos mains, vos pieds et les autres parties de votre corps à l'écart des pièces mobiles.
- Maintenez votre chevelure à l'écart des pièces mobiles.
- Portez des vêtements et des chaussures adaptés.

- Maintenez les vêtements, bijoux et autres objets à l'écart des pièces mobiles.
- Assurez-vous qu'une seule personne utilise l'équipement à la fois. L'équipement ne doit pas être utilisé par des personnes pesant plus de 135 kg (300 lb).
- N'ouvrez pas l'équipement sans consulter votre revendeur.

Sécurité électrique

(uniquement pour les équipements à alimentation électrique)

- Avant usage, assurez-vous toujours que la tension secteur est identique à celle de la plaque signalétique de l'équipement.
- N'utilisez pas de rallonge.
- Maintenez le câble secteur à l'écart de la chaleur, de l'huile et des bords coupants.
- N'altérez et ne modifiez aucunement le câble secteur ou la fiche secteur.
- N'utilisez pas l'équipement si le câble secteur ou la fiche secteur est endommagé ou défectueux. Si le câble secteur ou la fiche secteur est endommagé ou défectueux, contactez votre revendeur.
- Déroulez toujours complètement le câble secteur.
- Ne passez pas le câble secteur sous l'équipement. Ne passez pas le câble secteur sous un tapis. Ne placez aucun objet sur le câble secteur.
- Assurez-vous que le câble secteur ne pend pas sur le bord d'une table. Assurez-vous que le câble secteur ne peut pas être happé par accident ou faire trébucher.
- Ne laissez pas l'équipement sans surveillance si la fiche secteur est insérée dans la prise murale.
- Ne tirez pas sur le câble secteur pour retirer la fiche secteur de la prise murale.
- Retirez la fiche secteur de la prise murale lorsque l'équipement n'est pas utilisé, avant l'assemblage et le démontage et avant le nettoyage et la maintenance.

Assemblage

parties sur la boîte

	1	□ M8X20 ALLEN HEAD BOLT		12			
		○ M8X16X1.2T WASHER		12			
		○ M8 SPRING WASHER		12			
		■ M5X15 SCREW		4			
		■ M6X12 SCREW		2			
○ M6 SPRING WASHER		2					
	1						
	1						
	1		1		1		
	1				1		
	1		1		1/1		1

L'emballage contient les pièces illustrées en figure

Si une pièce manque, contactez votre revendeur.

Kit de matériel

19(12x) M8x20	17(12x) M8x16	16(4x) M5x15
18(12x) M6	TOOL(U) TOOL(U)	

L'emballage contient les pièces illustrées en figure

Si une pièce manque, contactez votre revendeur.

Assemblage

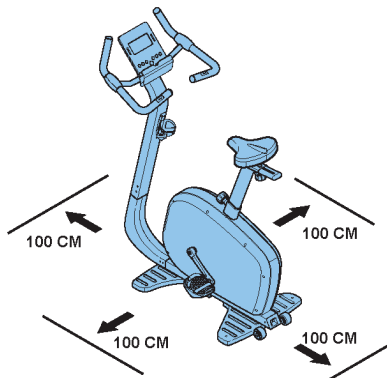
AVERTISSEMENT

Assemblez l'équipement dans l'ordre indiqué.

Deux personnes au moins sont nécessaires pour transporter et déplacer l'équipement.

PRÉCAUTION

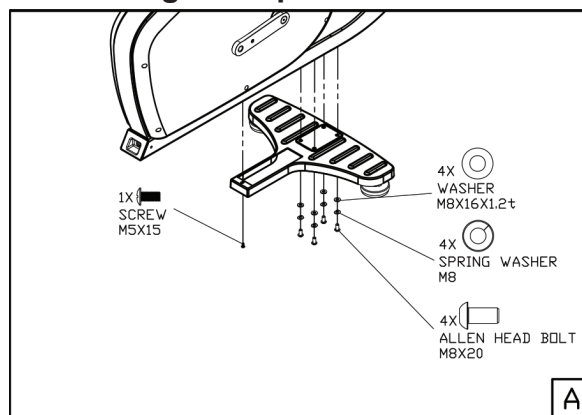
- Placez l'équipement sur une surface plane et ferme.
 - Placez l'équipement sur une base protectrice pour éviter d'endommager la surface du sol.
- Prévoyez un dégagement d'au moins 100 cm autour de l'équipement.



Consultez les illustrations pour l'assemblage correct de l'équipement.

Étapes d'assemblage

Assemblage - Étape A

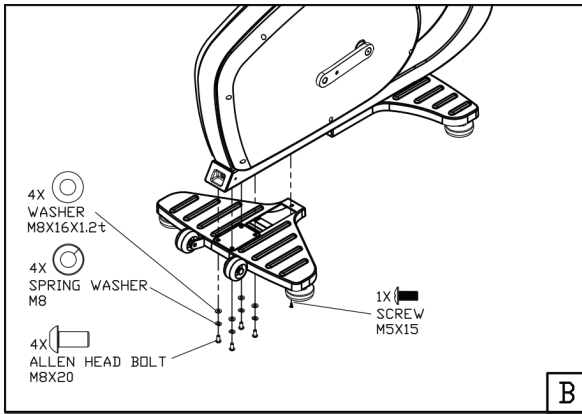


Utiliser le matériel indiqué pour installer le stabilisateur avant.

Remarque :

Ne pas oublier de mettre d'abord toutes les vis et tous les boulons en place avant de les serrer complètement.

Assemblage - Étape B

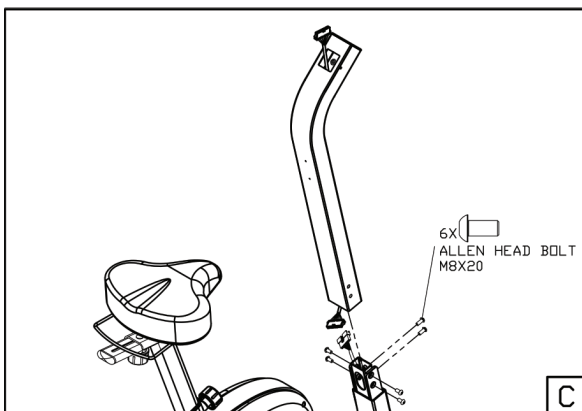


- Utiliser le matériel indiqué pour installer le stabilisateur arrière.

Remarque :

Ne pas oublier de mettre d'abord toutes les vis et tous les boulons en place avant de les serrer complètement.

Assemblage - Étape C



- Raccordez les câbles venant du tube vertical avant de glisser le tube vertical dans sa position.

Remarque :

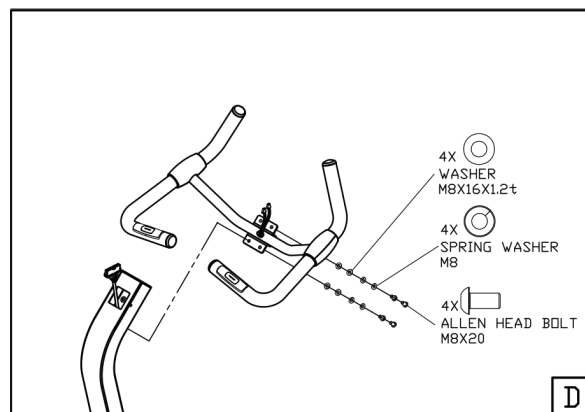
Ne retirez pas les vis du châssis principal avant de glisser le tube vertical dans sa position.

- Utilisez la clé Allen fournie pour serrer les deux vis de serrage en passant par les orifices du tube depuis l'extérieur.
- Serrez les vis de serrage en les tournant dans le sens inverse des aiguilles d'une montre.

Remarque :

Serrer d'abord les 6 vis à la main avant de les serrer complètement. Cela permet d'éviter les erreurs d'alignement.

Assemblage - Étape D



Passer les câbles de la poignée cardio fréquencemètre dans les orifices vers l'ouverture de montage de l'afficheur.

Remarque :

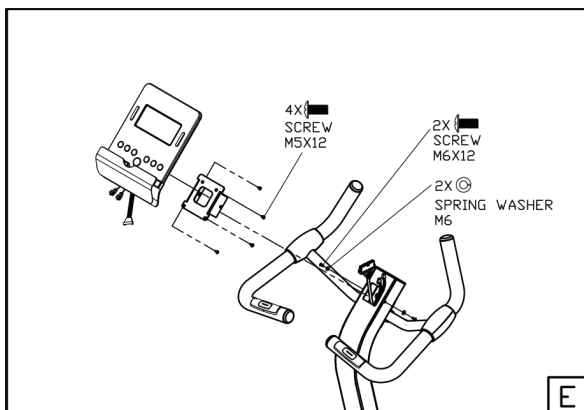
Éviter d'endommager les câbles pendant le montage.

- Installer le guidon dans le tube vertical en utilisant le matériel indiqué.

Remarque :

Ne pas oublier de mettre d'abord toutes les vis et tous les boulons en place avant de les serrer complètement.

Assemblage - Étape E

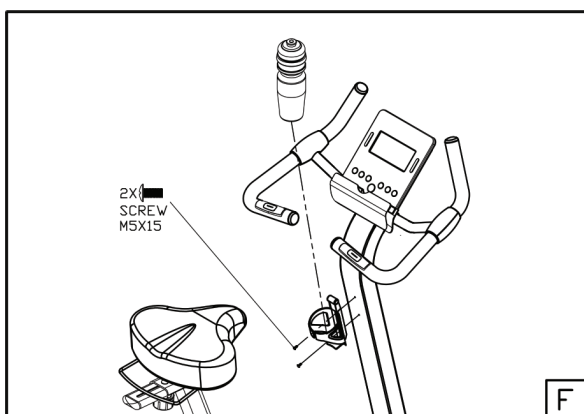


- Retirer les 4 vis de montage du cache arrière de la console.
- Fixer la console sur le support de la console.
- Faire passer les câbles des poignées cardiofréquence-mètre venant des poignées et le câble de données venant du tube vertical à travers l'orifice du support de la console.
- Brancher les câbles des poignées cardiofréquence-mètre et le câble de données sur la console.
- Fixer le support de la console sur le tube vertical.

Remarque :

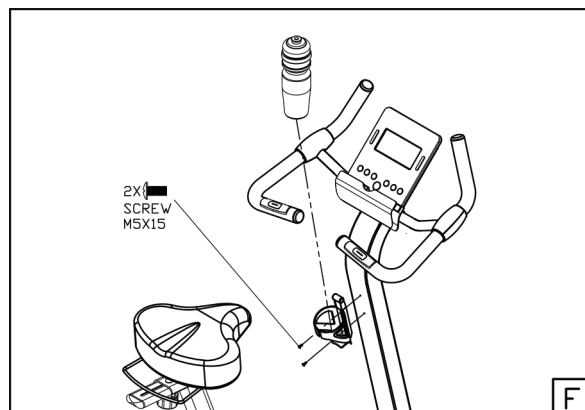
Éviter d'endommager les câbles pendant le montage.

Assemblage - Étape F



- Fixer le porte-bidon sur le tube vertical.

Assemblage - Étape G

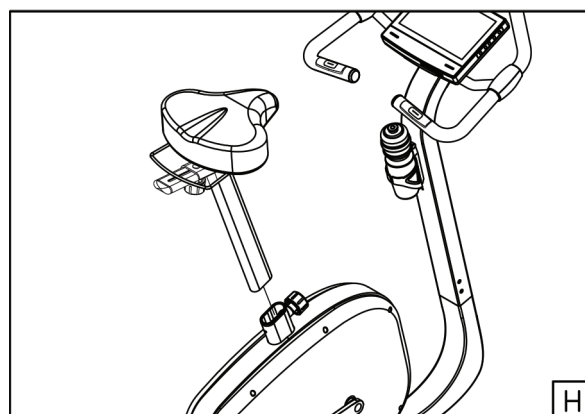


- Fixer la selle déjà préassemblée sur la tige de selle.

Remarque :

Une fois le vélo complètement assemblé, vérifiez que la selle est bien serrée et alignée avant de l'utiliser.

Assemblage Étape H

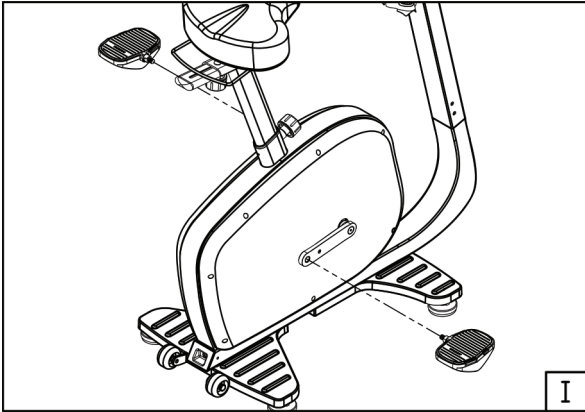


- Glissez la tige de selle dans le châssis principal.

Remarque :

Pour que la tige de selle puisse glisser dans le châssis correctement, desserrer le bouton de réglage de la selle en tournant/tirant.

Assemblage Étape I



Remarque :

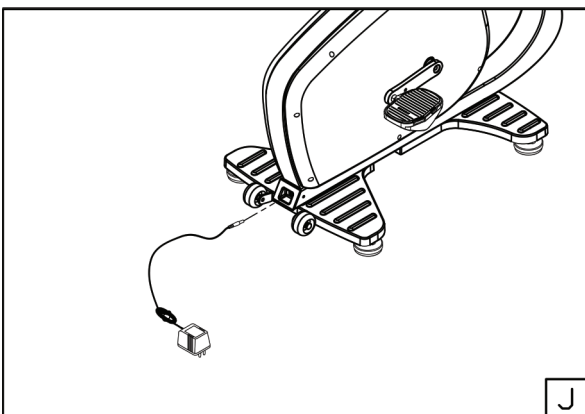
L'axe de la pédale comporte un repère pour la pédale de droite (R) et de gauche (L).

- Installer la pédale de gauche sur le bras de manivelle en tournant dans le sens inverse des aiguilles d'une montre.
- Installer la pédale de droite sur le bras de manivelle en tournant dans le sens des aiguilles d'une montre.

Remarque :

Bien vérifier que les pédales sont complètement serrées.

Assemblage Étape J



- Fixer le transformateur sur la machine avant de le brancher dans une prise murale.

Remarque :

Toujours retirer le cordon d'alimentation lorsque la machine n'est pas en fonctionnement

Usage

Réglage des pieds de support

L'équipement comporte 4 pieds de support. Si l'équipement est instable, vous pouvez régler les pieds de support.

- Tournez les pieds de support, selon les besoins, pour placer l'équipement en position stable.
- Serrez les écrous d'arrêt pour bloquer les pieds de support.



NOTE

La stabilité de la machine est maximisée lorsque tous les pieds de support sont complètement tournés vers l'intérieur. Vous devez donc commencer à mettre la machine de niveau en tournant tous les pieds de support vers l'intérieur avant de sortir les pieds de support requis pour stabiliser la machine

Regler la position du siège horizontal

La position du siège horizontal peut être réglée en installant le siège dans la position requise.

- Desserrez le bouton de réglage du siège.
- Déplacez le siège dans la position requise.
- Serrez le bouton de réglage du siège.

Réglage de la position verticale de la selle

La position verticale de la selle est réglable en amenant le tube de selle à la position requise. Avec la jambe pratiquement droite, la voûte plantaire doit toucher la pédale en son point le plus bas.

- Desserrez le bouton de réglage du tube de selle.
- Amenez le tube de selle à la position requise.
- Serrez le bouton de réglage du tube de selle.

Exercices

Un exercice doit être suffisamment léger mais prolongé. L'exercice aérobie repose sur l'amélioration de l'absorption maximum d'oxygène par le corps, améliorant à son tour l'endurance et la forme. Vous devez transpirer mais sans jamais être à bout de souffle durant l'exercice. Pour atteindre et entretenir un niveau de forme basique, exercez-vous au moins 3 fois par semaine, par session de 30 minutes. Accroissez le nombre des sessions d'exercice pour améliorer votre niveau de forme. Il est profitable de combiner un exercice régulier et un régime sain. Une personne suivant un régime doit s'exercer au quotidien, au début 30 minutes ou moins pour chaque session afin d'accroître ensuite progressivement le temps d'exercice quotidien pour atteindre une heure. Commencez vos exercices à une vitesse lente et avec une faible résistance pour éviter de soumettre le système cardiovasculaire à une contrainte excessive. À mesure de l'amélioration de votre forme, accroissez progressivement la vitesse et la résistance. L'efficacité de votre exercice est mesurable en suivant votre fréquence cardiaque et votre pouls.

Mesure du pouls (pulsomètres)

Le pouls est mesuré par des capteurs dans les poignées lorsque l'utilisateur touche les deux capteurs à la fois.



AVERTISSEMENT

Les systèmes de suivi de la fréquence cardiaque peuvent être inexacts. Un exercice excessif peut entraîner des blessures graves voire mortelles. Si vous vous sentez défaillir, interrompez immédiatement l'exercice.

La mesure la plus précise du pouls nécessite une peau légèrement humide et un contact constant des pulsomètres. Si la peau est trop sèche ou humide, la mesure du pouls peut devenir moins précise.



NOTE

N'utilisez pas les pulsomètres en même temps que la sangle thoracique de fréquence cardiaque.

Si vous réglez une fréquence cardiaque limite pour votre exercice, une alarme retentit dès qu'elle est dépassée.

Mesure de la fréquence cardiaque (sangle thoracique de fréquence cardiaque)

La sangle thoracique de fréquence cardiaque assure la mesure de fréquence cardiaque la plus précise. La fréquence cardiaque est mesurée par un récepteur combiné à la sangle thoracique de fréquence cardiaque. Une mesure précise de la fréquence cardiaque nécessite des électrodes de sangle émettrice légèrement humides et en contact constant avec la peau. Si les électrodes sont trop sèches ou humides, la mesure de la fréquence cardiaque peut devenir moins précise.



AVERTISSEMENT

Si vous portez un stimulateur cardiaque, consultez votre médecin avant d'utiliser une sangle thoracique de fréquence cardiaque.



PRÉCAUTION

Si plusieurs dispositifs de mesure de la fréquence cardiaque sont proches les uns des autres, assurez-vous qu'ils sont au moins distants de 2 mètres.

En présence d'un récepteur unique de fréquence cardiaque pour plusieurs émetteurs, assurez-vous qu'une seule personne avec un émetteur est à portée de transmission.



NOTE

- N'utilisez pas les pulsomètres en même temps que la sangle thoracique de fréquence cardiaque.
- Portez toujours la sangle thoracique de fréquence cardiaque sous vos vêtements, en contact direct avec votre peau. Ne portez pas votre sangle thoracique de fréquence cardiaque par-dessus vos vêtements. Si vous portez la sangle thoracique de fréquence cardiaque sur vos vêtements, il n'y a pas de signal.
- Si vous réglez une fréquence cardiaque limite pour votre exercice, une alarme retentit dès qu'elle est dépassée.
- L'émetteur transmet la fréquence cardiaque à une console jusqu'à une distance de 1,5 mètre. Si les électrodes ne sont pas suffisamment mouillées, votre fréquence cardiaque ne s'affiche pas.
- Certaines fibres des vêtements (par ex. polyester, polyamide) créent de l'électricité statique qui peut empêcher la mesure précise de la fréquence cardiaque.
- Les téléphones portables, télévisions et autres appareils électriques créent un champ électromagnétique susceptible d'empêcher une mesure précise de la fréquence cardiaque.

Fréquence cardiaque maximum

(durant l'exercice)

La fréquence cardiaque maximum est la fréquence la plus élevée qu'une personne peut atteindre en toute sécurité sous la contrainte de l'exercice. La formule suivante sert à calculer la fréquence cardiaque maximum moyenne : $220 - \text{ÂGE}$ La fréquence cardiaque maximum varie d'une personne à l'autre.



AVERTISSEMENT

Assurez-vous de ne pas dépasser votre fréquence cardiaque maximum durant l'exercice. Si vous appartenez à un groupe à risque, consultez un médecin.

Débutant: (50-60% de fréquence cardiaque maximum)

Adapté aux débutants, aux personnes suivant leur poids, aux convalescents et aux personnes ne s'exerçant pas depuis un certain temps. Exercez-vous au moins trois fois par semaine, par session de 30 minutes.

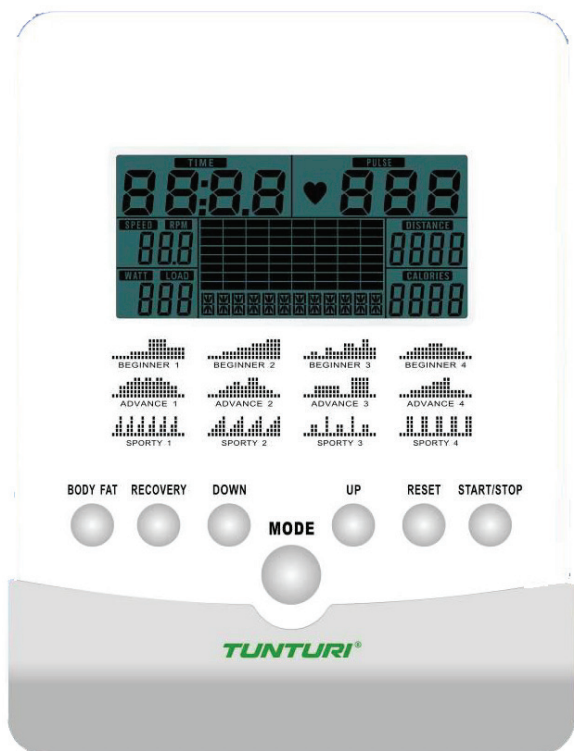
Avancé: (60-70% de fréquence cardiaque maximum)

Adapté aux personnes souhaitant améliorer et entretenir leur forme. Exercez-vous au moins trois fois par semaine, par session de 30 minutes.

Expert: (70-80% de fréquence cardiaque maximum)

Adapté aux personnes les plus en forme, habituées aux exercices d'endurance prolongés.

Interface de l'utilisateur



Fonctions de l'écran

Fenêtre Time :

Affiche la durée d'entraînement pendant une séance.

Fourchette : 0:00 ~ 99:59

Fenêtre Speed :

Affiche la vitesse réelle pendant une séance.

Fourchette : 0,0 ~ 99,9

Fenêtre RPM :

Affiche les tours par minute pendant une séance.

Fourchette : 0 ~ 999.

Fenêtre Watt :

Affiche la puissance en watts de l'entraînement pendant une séance. En mode programme Watt, la console affiche la valeur de watts prédéfinie.

Fourchette : 0 ~ 350.

Fenêtre Pulse :

Affiche le rythme cardiaque en bpm pendant une séance.

Fenêtre Distance :

Affiche la distance d'entraînement pendant une séance.

Fourchette : 0,0 ~ 99,9

Fenêtre Calories :

Affiche les calories brûlées pendant une séance.

Fourchette : 0 ~ 999

Fonctions des touches :

Touche Body fat :

Permet de mesurer la masse grasse en % et l'IMC.

Touche Recovery :

Permet de mesurer la capacité de récupération du rythme cardiaque.

Touche Down :

Réduit le niveau de résistance pendant l'entraînement.

Permet également de réduire une valeur lors de la sélection d'un paramètre.

Touche Mode :

Confirme le paramètre ou le choix.

Touche Up :

Augmente le niveau de résistance pendant l'entraînement.

Permet également d'augmenter une valeur lors de la sélection d'un paramètre.

Touche Reset :

En appuyant et maintenant cette touche enfoncée pendant 2 secondes, l'écran redémarre et affiche le menu principal. (toutes les données affichées seront perdues)

Touche Start/Stop :

Démarre l'entraînement lorsque la machine est en veille.

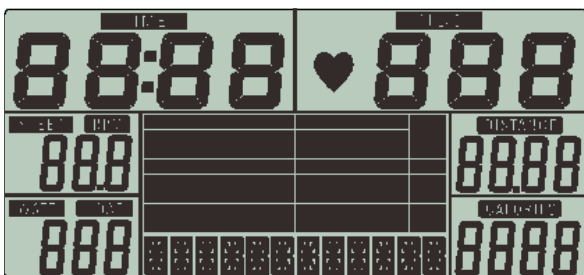
Met l'entraînement en pause ou l'arrête.

Fonctions supplémentaires

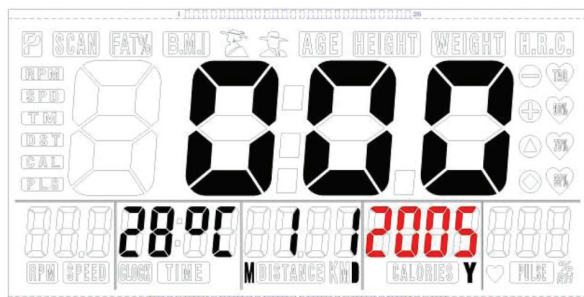
- Sélectionnez les unités de votre choix au moyen du bouton Metric/Imperial situé à l'arrière de la console.
- Si vous fixez un ou plusieurs objectifs, la valeur cible commencera à compter lorsqu'elle atteindra 0.

Mise sous tension

En mettant la machine sous tension, l'ordinateur s'allumera et affichera tous les segments sur l'écran pendant 2 secondes.



La console affiche les paramètres d'unités et la version du logiciel installé sur l'écran pendant une seconde avant d'afficher la fenêtre de démarrage.



Remarque :

Après 4 minutes sans pédaler ou sans impulsion d'entrée, la console passera en mode veille.

Pour sortir du mode veille, appuyez sur n'importe quelle touche.

Programmes

- Allumez l'écran ou appuyez sur la touche reset pour accéder au menu principal.
- Appuyez sur les flèches vers le haut ou vers le bas pour sélectionner un programme d'entraînement.
- Les programmes disponibles sont les suivants : Quick start, Manual, beginner, Advance, Sporty, Cardio et Watt.

Manual mode



Pour Quick start vous pouvez

- appuyer sur la touche Start/ stop pour commencer un entraînement sans configurer aucun paramètre au préalable.

Pendant l'entraînement, appuyez sur les flèches vers le haut/bas pour régler le niveau de résistance.

Le mode Quick start s'arrête lorsque la machine ne reçoit aucun signal pendant plus de 4 minutes ou si l'utilisateur appuie sur la touche Start/Stop.

Si des paramètres en mode manuel sont requis, vous devez

- Appuyer sur les flèches vers le haut/ bas pour sélectionner un programme d'entraînement et appuyer sur la touche mode pour définir le paramètre suivant du programme en mode manuel.
- Appuyer sur les flèches vers le haut/bas pour définir une durée d'entraînement et appuyer sur la touche Mode pour confirmer votre choix.
- Après avoir confirmé, vous pouvez également configurer la distance, les calories et le rythme cardiaque.



Remarque:

Si vous fixez plusieurs objectifs, l'entraînement s'arrêtera après chaque objectif atteint.

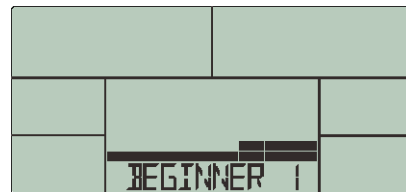
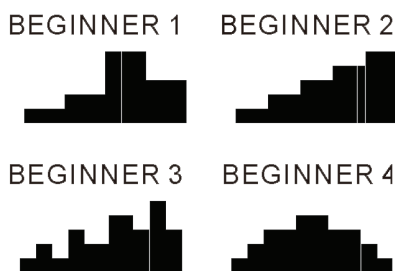
Laissez un objectif vide et il ne sera pas considéré comme une limite prédéfinie.

- Appuyez sur la touche Start/Stop pour commencer l'entraînement.
- Appuyez sur les flèches vers le haut/bas pour régler le niveau de résistance.
- Appuyez sur la touche Start/Stop pour mettre l'entraînement en pause.
- Appuyez sur la touche Reset pour retourner au menu principal. (les données de l'entraînement en cours seront perdues)

Beginner Mode



- Appuyez sur les flèches vers le haut/bas pour sélectionner un programme d'entraînement. Choisissez le mode beginner et appuyez sur la touche Mode pour définir le paramètre suivant du mode beginner.
- Quatre modes beginner peuvent être sélectionnés : beginner 1, beginner 2, beginner 3 et beginner 4. Sélectionnez l'un des modes à l'aide des flèches vers le haut/bas et confirmez votre choix en appuyant sur la touche Mode.



- Appuyez sur les flèches vers le haut/bas pour définir une durée d'entraînement et appuyez sur la touche Mode pour confirmer votre choix.
- Après avoir confirmé, vous pouvez également configurer la distance, les calories et le rythme cardiaque.



Remarque:

Si vous fixez plusieurs objectifs, l'entraînement s'arrêtera après chaque objectif atteint. Laissez un objectif vide et il ne sera pas considéré comme une limite prédéfinie.

- Appuyez sur la touche Start/Stop pour commencer l'entraînement.
- Appuyez sur les flèches vers le haut/bas pour régler le niveau de résistance.
- Appuyez sur la touche Start/ stop pour mettre l'entraînement en pause.
- Appuyez sur la touche Reset pour retourner au menu principal. (les données de l'entraînement en cours seront perdues)

Advance Mode



- Appuyez sur les flèches vers le haut/bas pour sélectionner un programme d'entraînement. Choisissez le mode Advance et appuyez sur la touche Mode pour définir le paramètre suivant du mode beginner.

- Quatre modes Advance peuvent être sélectionnés : Advance 1, advance 2, advance 3 et advance 4. Sélectionnez l'un des modes à l'aide des flèches vers le haut/bas et confirmez votre choix en appuyant sur la touche Mode.

ADVANCE 1



ADVANCE 2



ADVANCE 3



ADVANCE 4



- Appuyez sur les flèches vers le haut/bas pour définir une durée d'entraînement et appuyez sur la touche Mode pour confirmer votre choix.
- Après avoir confirmé, vous pouvez également configurer la distance, les calories et le rythme cardiaque.

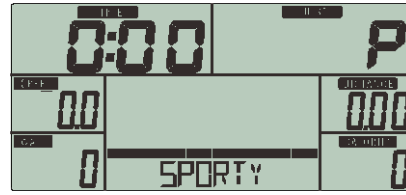


Remarque:

Si vous fixez plusieurs objectifs, l'entraînement s'arrêtera après chaque objectif atteint. Laissez un objectif vide et il ne sera pas considéré comme une limite prédéfinie.

- Appuyez sur la touche Start/Stop pour commencer l'entraînement.
- Appuyez sur les flèches vers le haut/bas pour régler le niveau de résistance.
- Appuyez sur la touche Start/ stop pour mettre l'entraînement en pause.
- Appuyez sur la touche Reset pour retourner au menu principal. (les données de l'entraînement en cours seront perdues)

Sporty Mode



- Appuyez sur les flèches vers le haut/bas pour sélectionner un programme d'entraînement. Choisissez le mode Sporty et appuyez sur la touche Mode pour définir le paramètre suivant du mode beginner.
- Quatre modes Sporty peuvent être sélectionnés : Sporty 1, sporty 2, sporty 3 et sporty 4. Sélectionnez l'un des modes à l'aide des flèches vers le haut/bas et confirmez votre choix en appuyant sur la touche Mode.

SPORTY 1



SPORTY 2



SPORTY 3



SPORTY 4



- Appuyez sur les flèches vers le haut/bas pour définir une durée d'entraînement et appuyez sur la touche Mode pour confirmer votre choix.
- Après avoir confirmé, vous pouvez également configurer la distance, les calories et le rythme cardiaque.



Remarque:

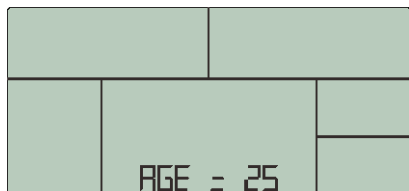
Si vous fixez plusieurs objectifs, l'entraînement s'arrêtera après chaque objectif atteint. Laissez un objectif vide et il ne sera pas considéré comme une limite prédéfinie.

- Appuyez sur la touche Start/Stop pour commencer l'entraînement.
- Appuyez sur les flèches vers le haut/bas pour régler le niveau de résistance.
- Appuyez sur la touche Start/ stop pour mettre l'entraînement en pause.
- Appuyez sur la touche Reset pour retourner au menu principal. (les données de l'entraînement en cours seront perdues)

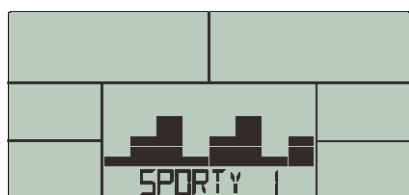
Cardio Mode



- Appuyez sur les flèches vers le haut/bas et sélectionnez le mode Cardio. Appuyez ensuite sur la touche Mode pour définir le paramètre suivant du mode Cardio.
- Appuyez sur les flèches vers le haut/bas pour saisir votre âge et confirmez en appuyant sur la touche mode.



Quatre modes Cardio peuvent être sélectionnés : 55%, 75%, 90% ou TAG (rythme cardiaque cible) défini par défaut comme 100 (utilisez les flèches vers le haut/bas pour modifier la valeur et confirmez en appuyant sur la touche mode). Sélectionnez l'un des modes à l'aide des flèches vers le haut/bas et confirmez votre choix en appuyant sur la touche Mode.



- Appuyez sur les flèches vers le haut/bas pour définir une durée d'entraînement et appuyez sur la touche Mode pour confirmer votre choix.
- Appuyez sur la touche Start/Stop pour mettre l'entraînement en pause.
- Appuyez sur la touche Reset pour retourner au menu principal. (les données de l'entraînement en cours seront perdues)



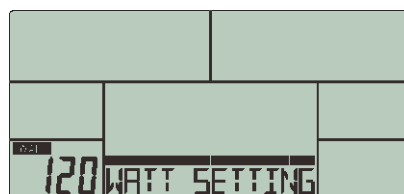
Remarque:

Si le système ne reçoit plus d'impulsion d'entrée pendant 6 secondes, le message "Pulse Input" s'affichera à l'écran pour prévenir l'utilisateur.

Watt Mode



- Appuyez sur les flèches vers le haut/bas pour sélectionner un programme d'entraînement. Choisissez le mode watt et appuyez sur la touche Mode pour définir le paramètre suivant du mode Watt.
- Appuyez sur les flèches vers le haut/bas pour définir un objectif de Watts (par défaut la valeur est de 120) et confirmez en appuyant sur la touche mode.



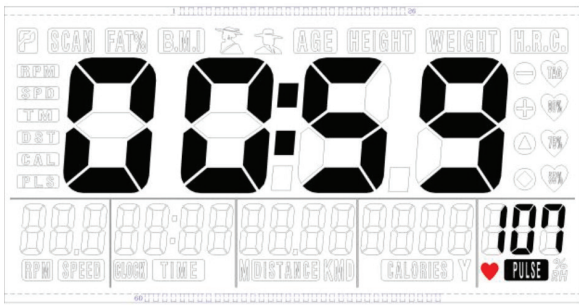
- Appuyez sur les flèches vers le haut/bas pour définir une durée d'entraînement et appuyez sur la touche Mode pour confirmer votre choix.
- La console ajustera le niveau de tension en fonction de l'objectif de watts et de l'état d'entraînement (rpm).



- L'utilisateur peut modifier l'objectif de Watts au moyen des flèches vers le haut/bas au cours de l'entraînement.
- Appuyez sur la touche Start/ stop pour mettre l'entraînement en pause.
- Appuyez sur la touche Reset pour retourner au menu principal. (les données de l'entraînement en cours seront perdues)

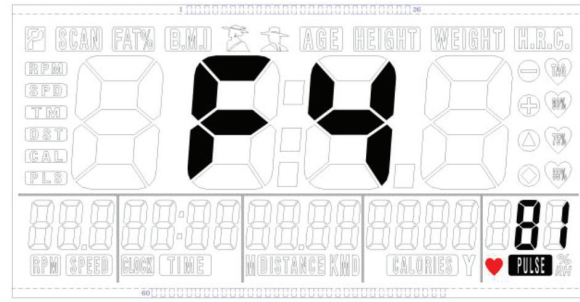
Recovery

- À la fin de votre entraînement, saisissez les poignées jusqu'à ce que la lecture de votre pouls réel s'affiche à l'écran.
- Appuyez sur la touche Recovery et saisissez de nouveau les poignées.
- Toutes les fonctions affichées s'arrêteront sauf le temps ("TIME") qui commencera un compte à rebours de 00:60 à 00:00.
-



- L'écran affichera votre état de récupération de rythme cardiaque avec F1, F2... jusqu'à F6.

F1 est le meilleur résultat et F6, le pire. Appuyez de nouveau sur le bouton RECOVERY pour retourner à l'affichage principal.



Remarque :

Pendant la période de récupération, appuyez de nouveau sur "RECOVERY" et la console retournera à la page précédente.

Remarque :

Veillez noter que l'indice de récupération dépend de la fréquence cardiaque à la fois au début et à la fin de la mesure.

Body fat

En mode arrêt appuyez sur le touche Body fat pour lancer cette fonction.

- Sélectionnez votre sexe à l'aide des flèches vers le haut/bas et confirmez votre choix en appuyant sur la touche Mode.
- Sélectionnez votre âge à l'aide des flèches vers le haut/bas et confirmez votre choix en appuyant sur la touche Mode.
- Sélectionnez votre taille à l'aide des flèches vers le haut/bas et confirmez votre choix en appuyant sur la touche Mode.
- Sélectionnez votre poids à l'aide des flèches vers le haut/bas et confirmez votre choix en appuyant sur la touche Mode.

Après avoir confirmé, saisissez les deux poignées cardio fréquencemètre.

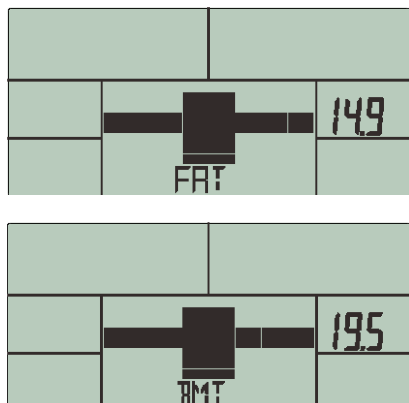


Remarque :

Si l'utilisateur ne saisit pas bien les poignées, la lecture ne peut être effectuée et le message suivant s'affiche :

“---- “ “ ----”. Ressaisissez les poignées cardio fréquencemètre pour recommencer.

Lorsque la console parvient à faire la lecture, l'écran affiche une barre de progression. Une fois terminé, l'écran affichera un pourcentage correspondant à la masse grasse et un chiffre correspondant à l'IMC, alternativement toutes les 3 secondes.



Remarque :

Les codes d'erreur du programme Body fat sont les suivants :

- L'écran affiche “---- “ “ ----”: les poignées tentent d'effectuer la lecture.
- E1 : Le système ne détecte aucun signal de rythme cardiaque pendant au moins 5 secondes.
- E4 : Le pourcentage de masse grasse est en-dessous de 5 % ou au dessus de 50 %. L'IMC est en-dessous de 5 ou au dessus de 50.

I-Console App

Nous avons développé une App que vous pouvez télécharger dans votre tablette 10" depuis l'App Store (iOS: iPad) ou Google Play (Android Market : Samsung, HTC, LG, etc.). Il vous suffit de saisir TUNTURI pour rechercher et trouver l'App. Vous démultipliez ainsi les possibilités d'utiliser notre produit en combinaison avec votre tablette 10”.

Pour lancer l'App, vous devez connecter votre tablette par Bluetooth et rechercher TUN-xxx (numéro) ! Pour vous connecter, utilisez le mot de passe 0000 (4 fois zéro).

“Made for iPad” signifie qu'un accessoire électronique a été conçu spécifiquement pour se connecter à un iPad et bénéficie d'une certification du développeur de conformité aux normes de performance Apple. Apple n'est pas responsable du fonctionnement de ce dispositif ou de sa conformité avec la législation et les normes de sécurité. Veuillez noter que l'usage de cet accessoire avec un iPad peut affecter ses performances sans fil.

iPad est une marque commerciale d'Apple Inc., déposée aux États-Unis et dans d'autres pays.



Remarque :

Dès que la console est connectée à la tablette par Bluetooth, la console s'éteint. Pour le système iOS, veuillez sortir de l'app i-Console et couper le Bluetooth de l'iPad. La console va se remettre en marche.

Démarrage

Connect:

- Appuyez sur “Connect” et l'App i-Console recherche automatiquement le Bluetooth.
- Sélectionnez le signal Bluetooth correspondant et commencez l'exercice.



Aide:

Appuyez sur « Help » pour afficher le menu d'aide lorsqu'il est disponible.

Quitter:

Appuyez sur "Exit" pour fermer l'application.

Informations :

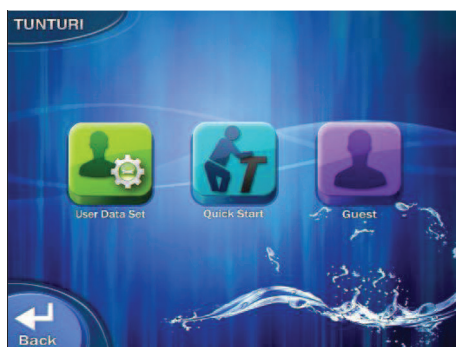
Appuyez sur "Knowledge" pour afficher des informations supplémentaires, lorsqu'elles sont disponibles.

Setting:

- Avant d'établir la connexion Bluetooth, l'utilisateur peut modifier les réglages dans "System". (Unité / Langue / Mot de passe)



Appuyez sur le bouton "Back" pour retourner au menu de configuration.

Parametres de l'utilisateur**Ensemble de données de l'utilisateur:**

Appuyez sur "User data set" pour prédéfinir/modifier/supprimer ou sélectionner un utilisateur.

Quick start :

Appuyez sur "Quick start" pour commencer une séance d'entraînement en mode manuel.

Invité :

Appuyez sur "Guest" pour commencer une séance d'entraînement sans profil d'utilisateur.

Appuyez sur le bouton "Back" pour retourner au paramètre précédent.

Ensemble de données de l'utilisateur

Sélectionnez un utilisateur au moyen des boutons de navigation ou appuyez sur le bouton « Back » pour retourner au paramètre précédent.

**Créer / modifier les paramètres de l'utilisateur :**

Vous pouvez choisir :

- Couleur de l'avatar
- Âge
- Taille
- Poids
- Couleur de fond

Appuyez sur « Next » pour confirmer la modification et aller au menu de sélection de l'entraînement, ou sur "Exit" pour retourner au menu précédent sans appliquer la modification

Selection de l'entrainement

Après avoir sélectionné un utilisateur, commencez votre séance d'exercices en choisissant : Manual/ i-Route/ Program/ program suggest or Watt.



Programme manuel

Sélectionnez "Manual", et définissez: la durée, la distance et les calories. Appuyez ensuite sur le bouton "Start" pour commencer la séance d'entraînement ou sur "Back" pour revenir au paramètre précédent.



I-Route

En sélectionnant I-Route, l'utilisateur peut choisir un pays puis, en appuyant sur « Next », un itinéraire. En appuyant sur le bouton « Back », il retourne au paramètre précédent.



Appuyez/faites glisser la carte pour changer d'écran.

Programme

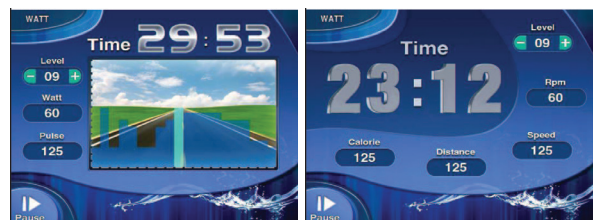
Programme permet de sélectionner les programmes 1 à 12 et le programme personnalisé.



Définissez : la durée, la distance et les calories. Appuyez ensuite sur le bouton "Start" pour commencer la séance d'entraînement ou sur "Back" pour revenir au paramètre précédent.

Watt Control

Sélectionnez Watt et définissez les valeurs de watts et de durée pour commencer l'entraînement.



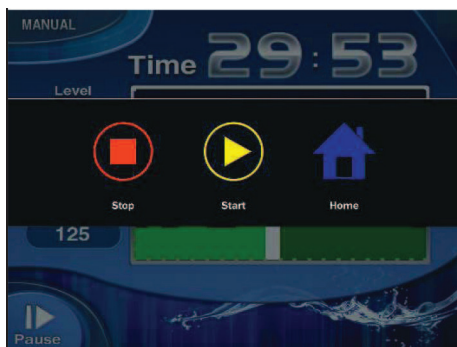
Appuyez/faites glisser la carte pour changer d'écran.

Cardio control


Sélectionnez Cardio et définissez les valeurs de rythme cardiaque et de durée pour commencer l'entraînement. t.



Arreter l'entrainement



Appuyer sur "Start" pour reprendre l'entraînement. Appuyez sur "Home" pour fermer l'application. Appuyez sur "Stop" pour enregistrer ou arrêter l'entraînement et retourner à la fenêtre principale.

 Appuyez sur "Yes" pour enregistrer la séance d'entraînement. Appuyez sur "No" pour retourner au mode Programmes sans enregistrer les données.

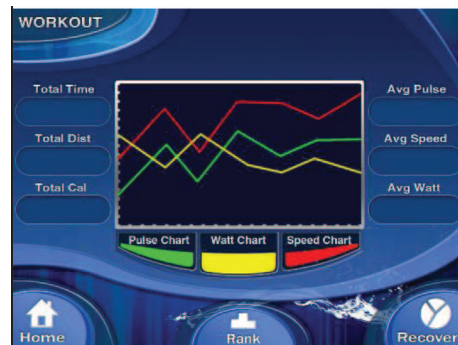


Remarque:

Le mode Invité ne permet pas d'enregistrer les données.

Resume de l'entrainement

Un résumé de la séance d'entraînement est affiché à la fin de la séance.



Appuyez sur "Home" pour retourner à la fenêtre principale.

Appuyez sur "Rank" pour afficher le classement.

- En mode Rank, appuyez sur "Workout" pour retourner à la fenêtre d'entraînement.



	Name	Date/Time	Dist
1	Tommy	2011/12/25 18:30	2.7 Km
2	Sue	2011/12/30 07:30	2.1 Km
3	Alice	2011/12/12 08:00	1.8 Km
4			
5			
6			
7			
8			
9			
10			

Appuyez sur "Recovery" pour commencer le programme de récupération.



Remarque:

Pour utiliser le mode Récupération vous devez posséder un capteur de fréquence cardiaque.

Nettoyage et maintenance

Défauts et dysfonctionnements Malgré un contrôle continu de la qualité, des défauts ou des dysfonctionnements peuvent être occasionnés par des composants individuels. La plupart du temps, il vous suffit de remplacer la pièce défectueuse.

- Si l'équipement ne fonctionne pas correctement, contactez immédiatement le revendeur.
- Fournissez le numéro de modèle et le numéro de série de l'équipement au revendeur. Mentionnez la nature du problème, les conditions d'usage et la date d'achat.

Transport et rangement



AVERTISSEMENT

- Deux personnes au moins sont nécessaires pour transporter et déplacer l'équipement.
- En vous tenant devant l'équipement de chaque côté, saisissez fermement ses guidons. Levez l'avant de l'équipement pour que l'arrière repose sur les roues. Déplacez l'équipement et reposez-le prudemment. Placez l'équipement sur une base protectrice pour éviter d'endommager la surface du sol.
- Déplacez prudemment l'équipement sur les surfaces irrégulières. Ne déplacez pas l'équipement sur ses roues pour monter des escaliers mais transportez-le par les guidons.
- Rangez l'équipement dans un endroit sec exposé à des variations de température minimales.

Garantie

Le produit est sous garantie à compter de sa date de livraison (documentée par la facture ou le bon de livraison). Pour en savoir plus sur les termes de la garantie, contactez votre revendeur. Les termes de la garantie peuvent varier selon le pays. Les dommages liés à l'usure normale, à une surcharge ou à une manipulation incorrecte sont exclus de la garantie. Les dommages liés au matériel ou à la fabrication sont couverts par la garantie et font l'objet d'une réparation ou d'un remplacement à titre gratuit.

Limite de responsabilité

© 2014 Tunturi New Fitness BV.
Tous les droits réservés.

Le produit et le manuel sont sujets à modifications. Les spécifications peuvent changer sans préavis.

Index

Welkom	57
Veiligheids	57
waarschuwingen	57
Assemblage	58
Inhoud van de verpakking	58
Hardware kit	59
Assemblage	59
Assemblage stappen	59
Gebruik	62
afstellen van de steunvoeten.....	62
Afstellen van de horizontale zadelpositie.....	62
instellen van de verticale zadelpositie	62
Trainingen	62
Hartslagmeting	62
Hartslagmeting	63
Maximale hartslag	63
User interface	64
Display functies	64
Toets functies.....	64
Extra functies.....	65
Inschakelen	65
Programma's	65
Manueel mode.....	65
Beginner Mode	66
Advance Mode	66
Sporty Modus	67
Cardio Modus	67
Watt Mode	68
Recovery	68
body fat.....	69
I-Console App	70
Opstarten.....	70
Gebruikersinstelling	71
User data set	71
Training selecteren	71
Manueel programma	72
I-Route.....	72
Programma's	72
Watt gestuurd	72
Hartslag gestuurd	72
Stop training	73
Training overzicht	73
Reiniging en onderhoud	74
Transport en opslag	74
Garantie	74
Disclaimer	74

Welkom

Welkom in de wereld van Tunturi New Fitness!

Hartelijk dank voor uw aankoop van dit Tunturi-toestel. Tunturi biedt een grote verscheidenheid aan professionele toestellen zoals crosstrainers, loopbanden, fietstrainers, roeimachines en trilplaten. Het Tunturi-toestel is geschikt voor de hele

familie, onafhankelijk van de conditie. Meer informatie vindt u op de website www.tunturi.com

Veiligheids waarschuwingen



WAARSCHUWING

Lees de veiligheidswaarschuwingen en de instructies. Het niet opvolgen van de veiligheidswaarschuwingen en de instructies kan persoonlijk letsel of beschadiging van het toestel veroorzaken. Bewaar de veiligheidswaarschuwingen en instructies voor toekomstig gebruik.



WAARSCHUWING

Hartslagbewakingssystemen kunnen onnauwkeurig zijn. Overmatig trainen kan leiden tot ernstig letsel of de dood. Als u zich duizelig voelt, stop dan onmiddellijk met trainen.

- Het toestel is uitsluitend geschikt voor huishoudelijk en professioneel gebruik (bijv. ziekenhuizen, brandweerkazernes, hotels, scholen, etc.). Het maximum gebruik is beperkt tot 6 uur per dag. Het toestel is niet geschikt voor volledig commercieel gebruik (bijv. grote sportscholen).
- Het gebruik van dit toestel door kinderen of personen met fysieke, sensorische, geestelijke of motorische handicaps, of met

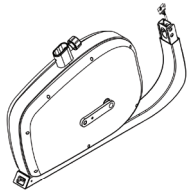
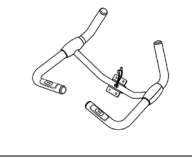
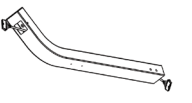
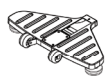
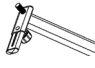

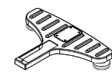






gebrek aan ervaring en kennis kan gevaar veroorzaken. De personen die verantwoordelijk zijn voor hun veiligheid moeten uitdrukkelijke instructies geven of toezicht houden op het gebruik van het toestel.

- Laat uw gezondheid door een arts controleren voordat u met uw training begint.
- Als u misselijkheid, duizeligheid of andere abnormale symptomen ervaart, stop dan onmiddellijk met uw training en raadpleeg een arts.
- Om spierpijn en te zware belasting te voorkomen, moet u elke training beginnen met een warming-up en eindigen met een cooling-down. Vergeet niet om uw spieren te strekken aan het einde van de training.
- Het toestel is uitsluitend geschikt voor gebruik binnenshuis. Het toestel is niet geschikt voor gebruik buitenshuis.
- Gebruik het toestel alleen in een omgeving met voldoende ventilatie. Gebruik het toestel niet in een tochtige omgeving om geen kou te vatten.
- Gebruik het toestel alleen in een omgeving met een omgevingstemperatuur tussen 10 °C en 35 °C. Berg het toestel alleen op bij een omgevingstemperatuur tussen 5 °C en 45 °C.
- Gebruik het toestel niet in een vochtige omgeving. Berg het toestel niet op in een vochtige omgeving. De luchtvochtigheid mag nooit meer zijn dan 80%.
- Gebruik het toestel alleen voor het doel waarvoor het gemaakt is. Gebruik het toestel niet voor andere doelstellingen dan beschreven in de handleiding.
- Gebruik het toestel niet als een onderdeel is beschadigd of niet goed werkt. Raadpleeg uw dealer als een onderdeel is beschadigd of niet goed werkt.
- Houd uw handen, voeten en andere lichaamsdelen uit de buurt van de bewegende delen.
- Houd uw haar uit de buurt van de bewegende delen.

- Draag geschikte kleding en schoenen.
- Houd kleding, sieraden en andere voorwerpen uit de buurt van de bewegende delen.
- Zorg ervoor dat het toestel slechts door één persoon tegelijk wordt gebruikt. Het toestel mag niet worden gebruikt door personen die meer dan 135 kg (300 lbs) wegen.
- Maak het toestel niet open zonder eerst uw dealer te raadplegen.

Assemblage

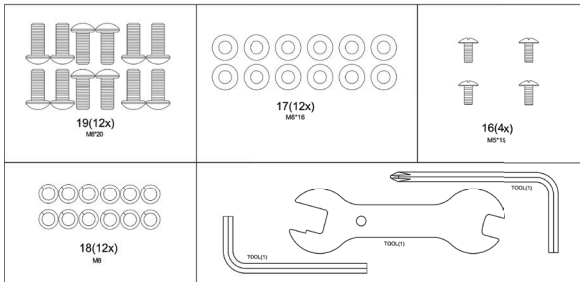
Inhoud van de verpakking

	□ M8X20 ALLEN HEAD BOLT		12						
	○ M8X16X1.2T WASHER		12						
	○ M8 SPRING WASHER		12						
	■ M5X15 SCREW		4						
	■ M6X12 SCREW		2						
			1						
				1					
			1		1				
				1					
		1		1		1		1/1	

De verpakking bevat de onderdelen zoals weergegeven in afbeelding.

Raadpleeg uw dealer als een onderdeel ontbreekt..

Hardware kit



De verpakking bevat de onderdelen zoals weergegeven in afbeelding.

Raadpleeg uw dealer als een onderdeel ontbreekt..

Assemblage

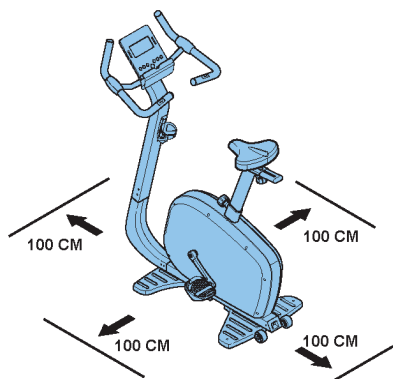
WAARSCHUWING

- Monteer het apparaat in de aangegeven volgorde.
- Draag en verplaats het toestel met minstens twee personen.
-

VOORZICHTIG

- Zet het toestel op een stevige, vlakke ondergrond.
- Zorg voor een beschermende laag onder het toestel om schade aan het vloeroppervlak te voorkomen.

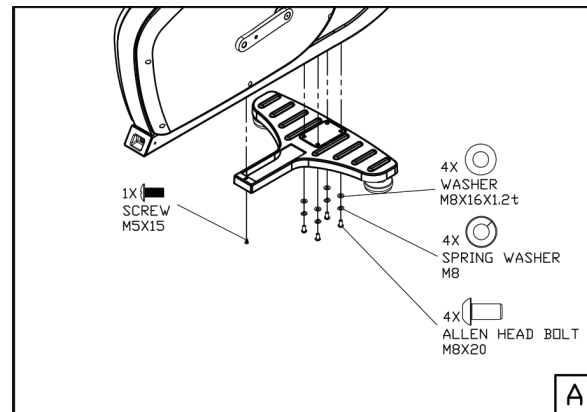
Houd rondom de apparatuur ten minste een bewegingsruimte van 100 cm.



Raadpleeg de illustraties voor de juiste assemblage van het toestel.

Assemblage stappen

Assemblage stap A

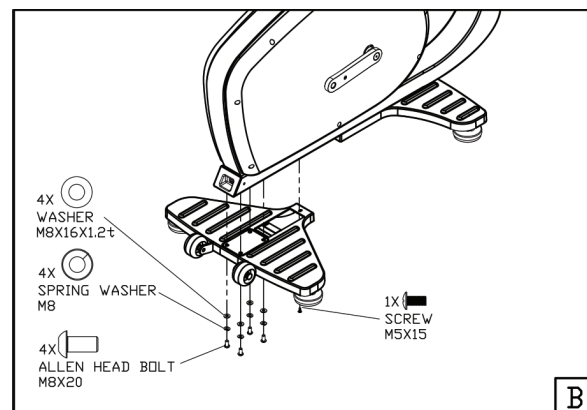


- Monteer de voorste stabilisator door gebruik te maken van de getoonde hardware.

Opmerking:

Plaats eerst alle schroeven/ bouten voordat u deze volledig vastdraait.

Assemblage stap B

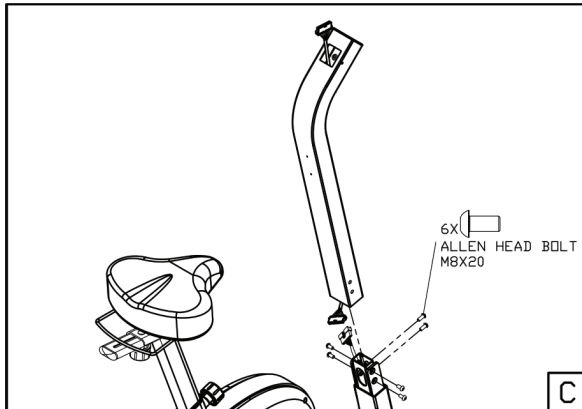


- Monteer de achterste stabilisator door gebruik te maken van de getoonde hardware.

Opmerking:

Plaats eerst alle schroeven/ bouten voordat u deze volledig vastdraait.

Assemblage stap C

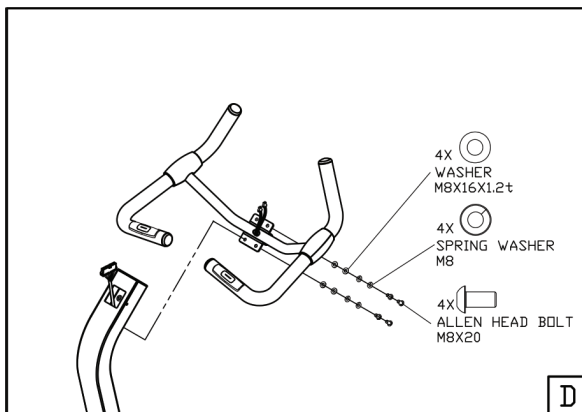


- Sluit de bedrading aan van de stuurbuis naar het frame voordat u de stuurbuis in positie schuift
- Gebruik de bijgevoegde inbussleutel om de schroeven met de klok mee vast te draaien.

Opmerking:

Draai eerst de zes bouten handvast voordat u ze volledig vastdraait, dit om verkeerde uitlijning te voorkomen.

Assemblage stap D



- Leid de bedrading van de hartslagsensoren door het gat naar de display montage opening..

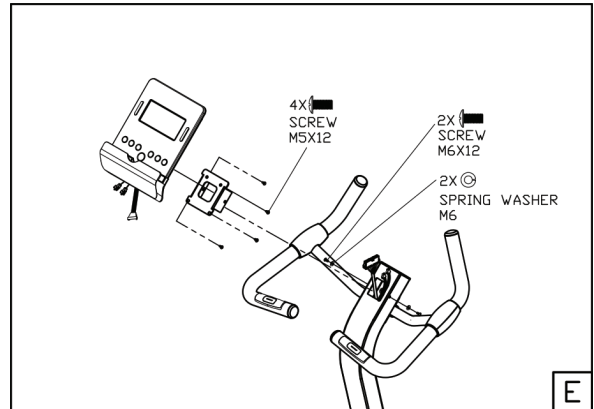
Opmerking:

Zorg ervoor dat de bedrading niet beschadigt tijdens montage. Monteer het stuur op de stuurbuis door gebruik te maken van de getoonde hardware.

Opmerking:

Plaats eerst alle schroeven/ bouten voordat u deze volledig vastdraait.

Assemblage stap E

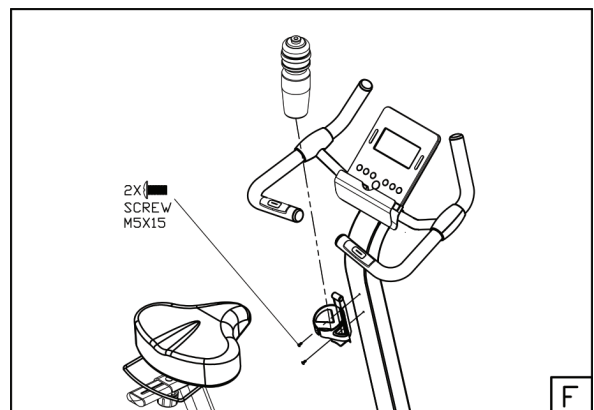


- Verwijder de 4 bevestigingsschroeven uit de achterkant van de console.
- Monteer de console op de consolesteun.
- Leid de bedrading van de hartslagsensoren vanuit het stuur en de data kabel vanuit de stuurbuis door het gat in de console steun.
- Sluit de bedrading van de hartslagsensoren en de datakabel aan op de console.
- Monteer de console steun op de stuurbuis.

Opmerking:

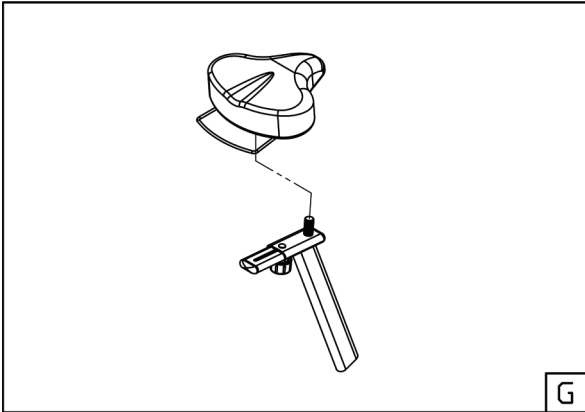
Zorg ervoor dat de bedrading niet beschadigt tijdens montage.

Assemblage stap F



- Monteer de fleshouder tegen de stuurbuis.

Assemblage stap G

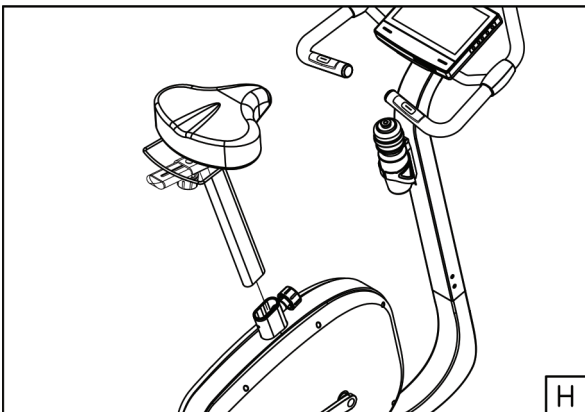


- Monteer het zadel op de horizontale zadel schuiver.

Opmerking:

Wees voordat u begint met trainen na de volledige assemblage zeker dat u het zadel goed vastgezet en uitgelijnd heeft.

Assemblage stap H

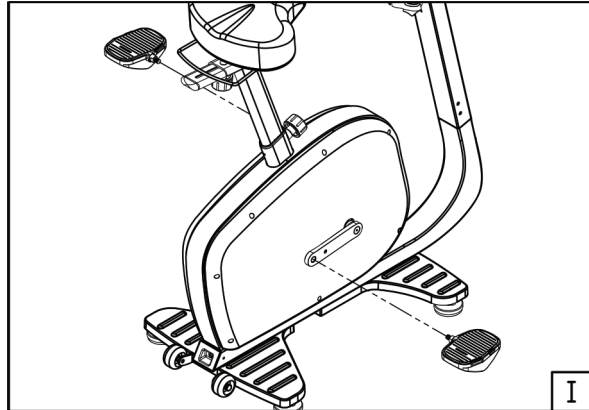


- Schuif de zadelbuis in het frame.

Opmerking:

De hoogte verstel knop van het zadel dient eerst losgemaakt te worden door te draaien en trekken voordat de zadelbuis volledig het frame in schuift.

Assemblage stap I



Opmerking:

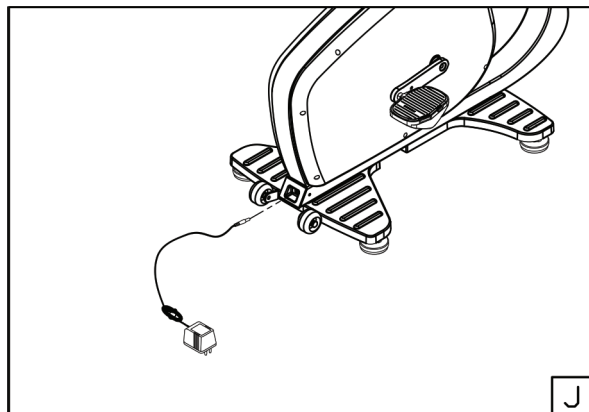
Op de assen van de pedalen staan markeringen voor Rechts (R) en Links (L) aangegeven.

- Monteer het linkerpedaal op de pedaal arm door deze tegen de klok in vast te draaien.
- Monteer het rechterpedaal op de pedaal arm door deze met de klok mee vast te draaien.

Opmerking:

Zorg ervoor dat de pedalen volledig vastgedraaid zijn.

Assemblage stap J



- Sluit de adapter eerst aan op de trainer voordat u deze aansluit op de wandcontactdoos.

Opmerking:

Verwijder altijd de stroomkabel wanneer de trainer niet in gebruik is.

Gebruik

afstellen van de steunvoeten

Het toestel is voorzien van 4 steunvoeten. Als het toestel niet stabiel is, kunnen de steunvoeten worden versteld.

- Draai de steunvoeten zo ver in of uit als nodig is om het toestel in een stabiele positie te krijgen.
- Draai de borgmoeren vast om de steunvoeten te vergrendelen.



LET OP

Het toestel is het meest stabiel wanneer alle steunvoeten volledig zijn ingedraaid. Nivelleer het toestel eerst door alle steunvoeten volledig in te draaien alvorens de nodige steunvoeten uit te draaien om het toestel te stabiliseren.

Afstellen van de horizontale zadelpositie

De horizontale zadelpositie kan worden afgesteld door het zadel in de gewenste positie te zetten.

- Draai de stelknop voor het zadel los.
- Zet het zadel in de gewenste positie.
- Draai de stelknop voor het zadel vast

instellen van de verticale zadelpositie

De verticale zadelpositie kan worden ingesteld door het zadel in de gewenste positie te zetten.

Draai de stelknop voor de zadelpen los. Zet de zadelpen in de gewenste positie. Draai de stelknop voor de zadelpen vast.

Trainingen

De training moet licht genoeg zijn, maar wel langdurig. Aerobische training is gebaseerd op verbetering van de maximale zuurstofopname van het lichaam, die dan het uithoudingsvermogen en de conditie weer verbetert. U moet tijdens de training wel transpireren, maar u mag niet buiten adem raken. Voor het bereiken en in stand houden van een basisconditie moet u minstens drie keer per week steeds 30 minuten trainen. Verhoog het aantal trainingssessies ter verbetering van uw conditie. Het is de moeite waard om regelmatige lichaamsbeweging met gezonde voeding te combineren. Iemand die zich goed aan een dieet houdt, zou elke dag moeten trainen te beginnen met 30 minuten of korter, en de dagelijkse trainingsduur geleidelijk opvoeren tot één uur. Begin uw training bij een lage snelheid en een lage weerstand om te voorkomen dat uw hart en bloedvaten te sterk belast worden. Naarmate uw conditie verbetert, kunnen snelheid en weerstand geleidelijk worden verhoogd. De doelmatigheid van uw training kan worden gemeten door uw hartslag.

Hartslagmeting

(handgreepsensoren)

De hartslag wordt gemeten door sensoren in de handgrepen wanneer de gebruiker beide sensoren tegelijkertijd aanraakt.



WAARSCHUWING

Hartslagbewakingssystemen kunnen onnauwkeurig zijn. Overmatig trainen kan leiden tot ernstig letsel of de dood. Als u zich duizelig voelt, stop dan onmiddellijk met trainen.

Voor de meest nauwkeurige hartslagmeting moet de huid enigszins vochtig zijn en moet u de handgreepsensoren voortdurend aanraken. Bij een te droge of te vochtige huid kan de hartslagmeting minder nauwkeurig worden.

**LET OP**

Gebruik de handgreepsensoren niet in combinatie met een hartslagborstband. Als u een hartslaglimiet hebt ingesteld voor uw training, klinkt er een alarm wanneer deze wordt overschreden.

Hartslagmeting**(hartslagborstband)**

De meest nauwkeurige hartslagmeting wordt bereikt met een hartslagborstband. De hartslag wordt gemeten met een hartslagontvanger in combinatie met een band die de hartslag verzendt. Voor een nauwkeurige hartslagmeting moeten de elektroden op de borstband enigszins vochtig zijn en de huid constant aanraken. Bij te droge of te natte elektroden kan de hartslagmeting minder nauwkeurig worden.

**WAARSCHUWING**

Als u een pacemaker hebt, moet u het eerst met uw dokter bespreken voordat u een hartslagborstband gebruikt.

**VOORZICHTIG**

Als er verscheidene hartslagmeetapparaten naast elkaar staan, zorg er dan voor dat de tussenafstand minstens 2 meter is.

Als er slechts één hartslagontvanger en verscheidene hartslagzenders zijn, zorg dan dat er slechts één persoon met een zender in het zendbereik is.

**LET OP**

- Gebruik de hartslagborstband niet in combinatie met de handgreepsensoren.
- Draag de hartslagborstband altijd onder uw kleding, direct op uw huid. Draag de hartslagborstband niet boven uw kleding. Als u de hartslagborstband boven uw kleding draagt, zal er geen signaal komen.
- Als u een hartslaglimiet hebt ingesteld voor uw training, klinkt

er een alarm wanneer deze wordt overschreden.

- De zender verzendt de hartslag naar de console tot over een afstand van 1,5 meter. Als de elektroden niet vochtig zijn, verschijnt de hartslag niet op de display.
- Sommige vezels in kleding (bijv. polyester, polyamide) produceren statische elektriciteit die een nauwkeurige hartslagmeting kan hinderen.
- Mobiele telefoons, televisies en andere elektrische apparaten creëren een elektromagnetisch veld dat een nauwkeurige hartslagmeting kan hinderen.

Maximale hartslag**(tijdens de training)**

De maximale hartslag is de hoogste hartslag die iemand veilig kan bereiken door de belasting van de training. De volgende formule wordt gebruikt voor het berekenen van de gemiddelde maximale hartslag: $220 - \text{LEEFTIJD}$. De maximale hartslag varieert van persoon tot persoon.

**WAARSCHUWING**

Zorg ervoor dat u tijdens uw training niet boven uw maximale hartslag komt. Als u bij een risicogroep hoort, moet u een arts raadplegen.

Beginnen: (50-60% van de maximale Hartslag)

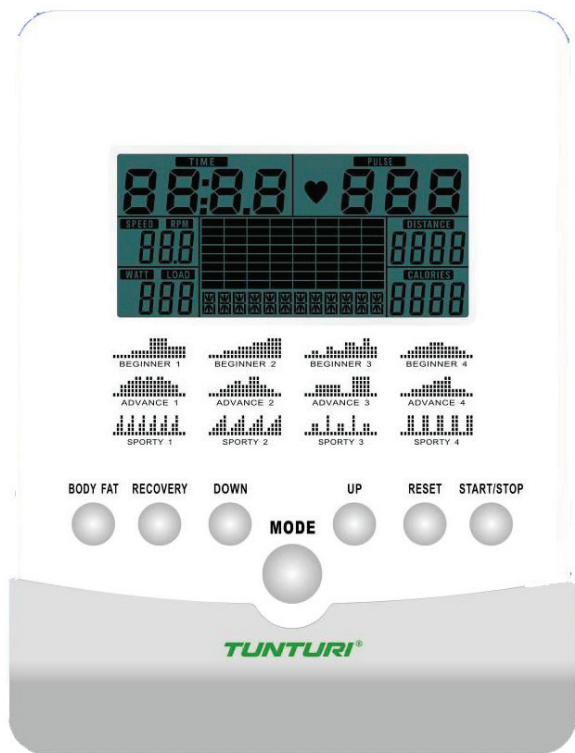
Geschikt voor beginners, mensen die willen afvallen, herstellende patiënten en personen die lange tijd niet getraind hebben. Train minstens drie keer per week, 30 minuten per keer.

Gevorderd: (60-70% van de maximale hartslag)

Geschikt voor personen die hun conditie willen verbeteren en in stand houden. Train minstens drie keer per week, 30 minuten per keer.

Expert: (70-80% van de maximale hartslag)
Geschikt voor de fitste personen die gewend zijn aan langdurige duurtraining.

User interface



Display functies

Time scherm :
Geeft de tijd weer tijdens training.
Range: 0:00 ~ 99.59

Speed scherm :
Geeft de snelheid weer tijdens training.
Range: 0 ~ 999.

RPM scherm :
Geeft de rotaties per minuut weer tijdens training.
Range: 0 ~ 999.

Watt scherm :
Geeft de training watt kracht weer tijdens training. In watt programma modus toont de console de ingestelde watt waarde. Instel range: 0 ~ 350.

Pulse scherm :
Geeft de hartslag in slagen per minuut weer tijdens training

Distance scherm :
Geeft de afstand weer tijdens de training.
Range: 0.0 ~99.9

Calories scherm :
Geeft de verbrande calorieën weer tijdens training.
Range: 0 ~999

Toets functies

Body fat toets :
Test het lichaamsvet in % en de BMI.

Recovery toets :
Test de hartslag herstelstatus.

Down toets :
Verlaag de weerstandswaarde tijdens training. In keuzemenu's kiest u hiermee een lagere waarde.

Mode toets :
Hiermee bevestigt u uw keuze/selectie.

Up toets :
Verhoog de weerstandswaarde tijdens training. In keuzemenu's kiest u hiermee een hogere waarde.

Reset toets :
Wanneer deze toets 2 seconden vast wordt gehouden start de display opnieuw op met het hoofdmenu. (Alle getoonde data zal verwijderd worden).

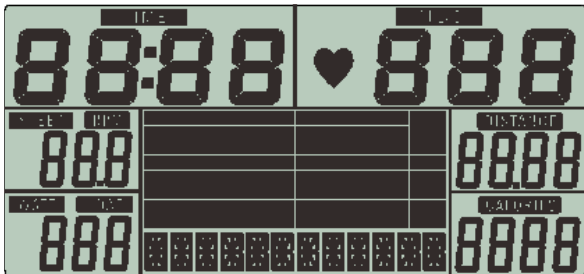
Start/ stop toets :
Start de training wanneer trainer in ruststand is. Stopt/ pauzeert de training wanneer trainer actief is.

Extra functies

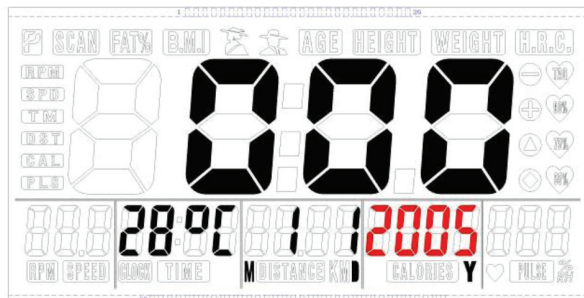
- Kies snelheid/ afstand eenheid door de Metric/ Imperial switch op de achterkant van de console te gebruiken.
- Wanneer u één of meerdere startwaardes heeft ingesteld, zal de waarde optellen wanneer deze "0" bereikt heeft.

Inschakelen

Sluit de trainer aan op het stroomnet. De computer start op en al de display segmenten worden voor 2 seconden weergegeven



De Console toont de eenheid instellingen en de geïnstalleerde software versie in de display voordat de display het opstartscherm toont.



Let op:

Na 4 minuten zonder trappen of hartslagmeting zal de console in slaapstand gaan.

Druk een willekeurige toets om de console uit de slaapstand te halen.

Programma's

- Zet de display aan of gebruik de reset toets functie om naar het hoofdmenu te gaan.
- Druk de Up of Down toets om een trainingsprogramma te selecteren.
- Beschikbare programma's zijn: Quick start, Manual, Beginner, Advance, Sporty Cardio en Watt programma.

Manueel mode



Om Quick start modus te starten kunt u

- De Start/ stop toets om de training te beginnen zonder ingestelde waardes.
- Tijdens de training kunt u met de Op en Neer toetsen de weerstand aanpassen. Quick start modus stopt wanneer er 4 minuten lang geen beweging gesignaleerd wordt of wanneer de Start/stop toets ingedrukt wordt.

Wanneer instellingen gewenst zijn in de Manual mode;

- Druk Up/ Down toets om een trainingsprogramma te selecteren, kies Manual mode en druk de "Mode" toets om in het instellingsmenu te komen.
- Druk de Up/ Down toets om de trainingstijd in te stellen en druk de "Mode" toets om te bevestigen.
- Na bevestiging kunt u ook de afstand, calorieën en hartslag instellen.



Let op:

Wanneer u meer dan één streefwaarde instelt zal de training stoppen zodra er één streefwaarde bereikt is.

Laat streefwaardes blanco zodat deze niet gezien worden als ingesteld doel.

- Druk Start/ stop toets om de training te starten.

- Druk Up/ Down toetsen om de weerstand aan te passen.
- Druk Start/ stop toets om de training te pauzeren.
- Druk op de “Reset” toets om terug te keren naar het hoofdmenu (data van de actieve training zullen vergeten worden).

Beginner Mode



- Druk Up/ Down toets om een trainingsprogramma te selecteren, kies voor beginner mode en druk de “Mode” toets om in het instellingsmenu te komen.
- Er kunnen 4 beginner programma’s geselecteerd worden: beginner 1, beginner 2, beginner 3 en beginner 4. Selecteer één door middel van de Up/ Down toetsen en bevestig de keuze met de “Mode” toets.

BEGINNER 1 BEGINNER 2



BEGINNER 3 BEGINNER 4



- Druk de Up/ Down toets om de trainingstijd in te stellen en druk de “Mode” toets om te bevestigen.
- Na bevestiging kunt u ook de afstand, calorieën en hartslag instellen.



Let op:

Wanneer u meer dan één streefwaarde instelt zal de training stoppen zodra er

één streefwaarde bereikt is. Laat streefwaardes blanco zodat deze niet gezien worden als ingesteld doel.

- Druk Start/ stop toets om de training te starten.
- Druk Op/ Neer toetsen om de weerstand aan te passen.
- Druk Start/ stop toets om de training te pauzeren.
- Druk op de “Reset” toets om terug te keren naar het hoofdmenu (data van de actieve training zullen vergeten worden).

Advance Mode



- Druk Up/ Down toets om een trainingsprogramma te selecteren, kies voor advance mode en druk de “Mode” toets om in het instellingsmenu te komen.
- Er kunnen 4 advance programma’s geselecteerd worden: Advance 1, advance 2, advance 3 en advance 4. Selecteer één door middel van de Up/ Down toetsen en bevestig de keuze met de “Mode” toets.

ADVANCE 1 ADVANCE 2



ADVANCE 3 ADVANCE 4



- Druk de Up/ Down toets om de trainingstijd in te stellen en druk de

“Mode” toets om te bevestigen.

- Na bevestiging kunt u ook de afstand, calorieën en hartslag instellen.



Let op:

Wanneer u meer dan één streefwaarde instelt zal de training stoppen zodra er één streefwaarde bereikt is.

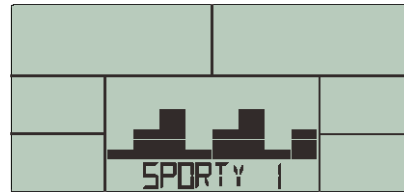
Laat streefwaardes blanco zodat deze niet gezien worden als ingesteld doel.

- Druk Start/ stop toets om de training te starten.
- Druk Op/ Neer toetsen om de weerstand aan te passen.
- Druk Start/ stop toets om de training te pauzeren.
- Druk op de “Reset” toets om terug te keren naar het hoofdmenu (data van de actieve training zullen vergeten worden).

Sporty Modus



- Druk Up/ Down toets om een trainingsprogramma te selecteren, kies voor sporty mode en druk de “Mode” toets om in het instellingsmenu te komen.
- Er kunnen 4 sporty programma’s geselecteerd worden: sporty 1, sporty 2, sporty 3 en sporty 4. Selecteer één door middel van de Up/ Down toetsen en bevestig de keuze met de “Mode” toets.



- Druk de Up/ Down toets om de trainingstijd in te stellen en druk de “Mode” toets om te bevestigen.
- Na bevestiging kunt u ook de afstand, calorieën en hartslag instellen.



Let op:

Wanneer u meer dan één streefwaarde instelt zal de training stoppen zodra er één streefwaarde bereikt is.

Laat streefwaardes blanco zodat deze niet gezien worden als ingesteld doel.

- Druk Start/ stop toets om de training te starten.
- Druk Op/ Neer toetsen om de weerstand aan te passen.
- Druk Start/ stop toets om de training te pauzeren.
- Druk op de “Reset” toets om terug te keren naar het hoofdmenu (data van de actieve training zullen vergeten worden).

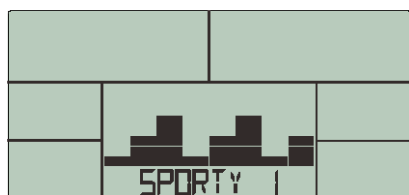
Cardio Modus



- Druk Up/ Down toets om een trainingsprogramma te selecteren, kies voor Cardio mode en druk de “Mode” toets om in het instellingsmenu te komen.
- Druk de Up/ Down toets om de leeftijd in te stellen en druk de “Mode” toets om te bevestigen



Er kunnen 4 cardio programma's geselecteerd worden: 55 %, 75%, 90% of TAG (Target Heart Rate) standaard ingesteld op 100% (gebruik de Up/ Down toetsen om te wijzigen en bevestig met de "Mode" key). Selecteer één programma door middel van Up/ Down toetsen en bevestig door de "Mode" toets te drukken.



- Druk Up/ Down toetsen om de trainingstijd in te stellen en druk "Mode" toets om te bevestigen.
- Druk Start/ Stop toets om de training te pauzeren.
- Druk op de "Reset" toets om terug te keren naar het hoofdmenu (data van de actieve training zullen vergeten worden).



Let op:

Wanneer er 6 seconden geen hartslag gemeten wordt zal de display "Pulse Input" tonen om de gebruiker te waarschuwen.

Watt Mode



- Druk Up/ Down programma te selecteren, kies voor Watt mode en druk de "Mode" toets om in het instellingsmenu te komen.
- Druk de Up/ Down toets om de Wattage in te stellen (standaard ingesteld op 120) en druk de "Mode" toets om te bevestigen.



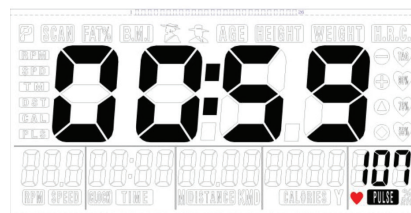
- Druk Up/ Down toetsen om de trainingstijd in te stellen en druk "Mode" toets om te bevestigen.
- De console zal de weerstand aanpassen aan de hand van de Watt streefwaarde en de rpm.



- Druk Up/ Down toetsen om de Wattage tijdens training.
- Druk Start/ Stop toets om de training te pauzeren.
- Druk op de "Reset" toets om terug te keren naar het hoofdmenu (data van de actieve training zullen vergeten worden).

Recovery

- Houd na de training de hartslagsensoren vast voor een bepaalde periode tot de werkelijke hartslag getoond wordt.
- Druk op de RECOVERY toets en pak opnieuw de hartslagsensoren vast.
- Alle display functies zullen stoppen behalve "TIJD", deze zal aflopen van 00:60 tot 00:00.



De LCD display zal het herstel van de hartslag tonen als F1, F2....tot F6.

F1 is het beste resultaat en F6 het slechtste. Druk opnieuw op de RECOVERY toets om terug te keren naar het hoofdmenu.



LET OP

Wanneer u tijdens de herstelperiode opnieuw op "RECOVERY" drukt dan zal de console teruggaan naar de vorige pagina.

Opmerking:

De herstel-index is in verhouding tot de frequentie van de hartslag in zowel het begin en het einde van de meting

body fat

Druk op de "Body fat" toets wanneer de trainer in ruststand is om deze functie te starten.

- Kies Geslacht door de op/neer toetsen te gebruiken en bevestig met de "Mode" toets.
- Kies Leeftijd door de op/neer toetsen te gebruiken en bevestig met de "Mode" toets.
- Kies Lengte door de op/neer toetsen te gebruiken en bevestig met de "Mode" toets.
- Kies Gewicht door de op/neer toetsen te gebruiken en bevestig met de "Mode" toets.

Na het bevestigen dient de gebruiker beide hartslagsensoren vast te houden.



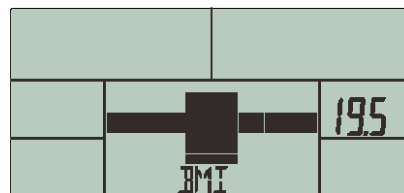
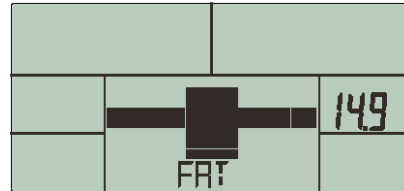
LET OP

Wanneer de hartslagsensoren niet goed worden vastgehouden kan de console geen juiste meting doen en wordt "----" " " ----". Weergegeven.

Pak de hartslagsensoren opnieuw vast het nogmaals te proberen.

Wanneer de console een juiste meting kan doen dan toont deze een voortgangsscherm.

Nadat de meting is afgerond zal de console het lichaamsvet percentage en BMI elke 3 seconden om en om tonen.



LET OP

Error codes in het lichaamsvet programma zijn:

LCD toont "----" " " ----":

hartslagsensoren kunnen geen juiste meting doen.

E1: Er is geen hartslagsignaal ontvangen voor minstens 5 seconden.

E4: Wordt getoond wanneer het vetpercentage lager is dan 5% of hoger dan 50% of wanneer de BMI lager is dan 5 of hoger dan 50.

I-Console App

We hebben een App ontwikkeld, die u op uw 10"-tablet kunt downloaden uit de App Store (iOS: iPad) of uit Google Play (Android-markt: Samsung, HTC, LG, etc.). U hoeft alleen TUNTURI in te typen om de App te vinden. Dit geeft u meer mogelijkheden om ons product te gebruiken in combinatie met uw 10"-tablet.

Om de App te starten moet u uw tablet verbinden met Bluetooth en zoeken naar TUN-xxx (nummer)! Het wachtwoord om verbinding te maken is 0000 (4 maal nul

"Made for iPad" betekent dat een elektronisch accessoire speciaal is ontworpen voor aansluiting op een iPad en is gecertificeerd door de ontwikkelaar om aan de prestatienormen van Apple te voldoen. Apple is niet verantwoordelijk voor de werking van dit apparaat of de naleving van de veiligheidsnormen en regelgeving. Houd er rekening mee dat het gebruik van dit accessoire met iPad de draadloze werking kan beïnvloeden

iPad is een handelsmerk van Apple Inc, geregistreerd in de VS en andere landen.



LET OP

Zodra de console via Bluetooth op de tablet is aangesloten, wordt de console uitgeschakeld.

Verlaat voor het iOS-systeem de i-Console App en schakel de Bluetooth van de iPad uit om de console weer in te schakelen

Opstarten

Verbinden:

- Druk op "Connect". De i-Console App zoekt automatisch naar Bluetooth.
- Selecteer het corresponderende Bluetooth-sigitaal en start de training.



Help:

Druk op "Help" om het Help-menu weer te geven (indien beschikbaar).

Exit:

Druk op "Exit" om de app te sluiten.

Knowledge:

Druk op "Knowledge" om aanvullende informatie weer te geven (indien beschikbaar).

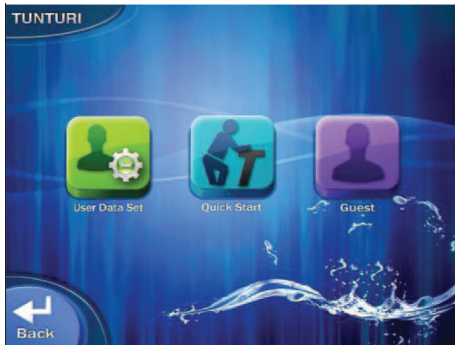
Setting:

- De gebruiker kan de instellingen wijzigen onder "System" alvorens verbinding te maken met Bluetooth. (Eenheid / Taal / Wachtwoord)



Druk op de knop "Back" om terug te keren naar de vorige instelling.

Gebruikersinstelling



User data set:

Druk op "User data set" als u een gebruiker wilt instellen, bewerken, verwijderen of selecteren

Quick start:

Druk op "Quick start" als u een workout wilt starten in de handmatige modus

Guest:

Druk op "Guest" als u een workout wilt starten zonder vooraf ingestelde gebruikersgegevens.

Druk op de knop "Back" om terug te keren naar de vorige instelling.

User data set



Selecteer een gebruiker met behulp van de navigatieknoppen of druk op de knop "Back" om terug te keren naar de vorige instelling.



Gebruikersinstellingen maken/wijzigen:

U kunt het volgende selecteren:

- Kleur van uw avatar
- Leeftijd
- Lengte
- Gewicht
- Achtergrondkleur

Druk op "Next" om uw wijzigingen te bevestigen en naar het selectiemenu voor workouts te gaan. Of druk op "Exit" om de wijzigingen te negeren en terug te keren naar het vorige menu

Training selecteren

Nadat er een gebruiker is geselecteerd, kan deze zijn of haar workout starten met: Manual/ i-Route/ Program of Watt.



Manueel programma

Selecteer “Manual”, stel waarden in voor Time/ Distance/ Calories en druk op de knop “Start” om uw workout te starten. Of druk op de knop “Back” om terug te keren naar de vorige instelling.



I-Route

Als u I-Route selecteert, kunt u het land selecteren. Druk op “Next” om de bijbehorende route te selecteren of druk op “Back” om terug te keren naar de vorige instelling.



Druk op of veeg met uw vinger over de kaart om te schakelen tussen de weergaven.

Programma's

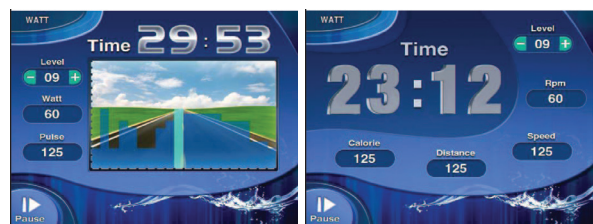
Selecteer P1 tot en met P12 of een gebruikersprogramma.



Voorgeprogrammeerde waarden: Time/ Distance/ Calories. Druk op de knop “Start” om uw workout te starten of druk op de knop “Back” om terug te keren naar de vorige instelling.

Watt gestuurd

Selecteer “Watt” en stel waarden in om uw workout te starten



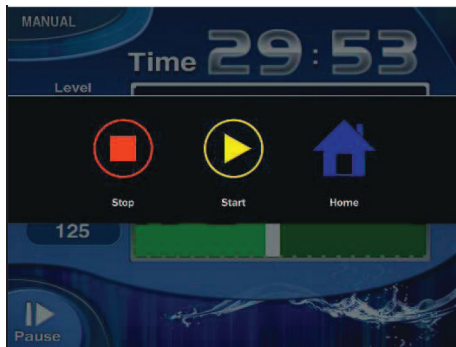
Druk op of veeg met uw vinger over de kaart om te schakelen tussen de weergaven.

Hartslag gestuurd

Selecteer “Cardio” en stel waarden in om uw workout te starten.



Stop training



Druk op “Start” om uw workout te hervatten.
Druk op “Home” om de app te sluiten.
Druk op “Stop” om uw workout op te slaan of te stoppen en terug te keren naar het hoofdvenster.



Selecteer “Yes” om uw workout op te slaan.
Selecteer “No” om terug te keren naar de

programmamodus zonder gegevens op te slaan.



Opmerking:

In de modus “Guest” kunnen er geen workouts worden opgeslagen.

Training overzicht

Na afloop van een workout wordt het workoutoverzicht weergegeven.

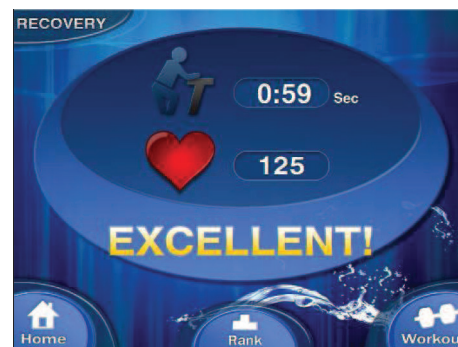


Druk op “Home” om terug te keren naar het hoofdvenster.
Druk op “Rank” om de classificatie weer te geven.

- Druk in de classificatiemodus op “Workout” om terug te keren naar het workoutvenster.

	Name	Date/Time	Dist
1	Tommy	2011/12/25 18:30	2.7 Km
2	Sue	2011/12/30 07:30	2.1 Km
3	Alice	2011/12/12 08:00	1.8 Km
4			
5			
6			
7			
8			
9			
10			

Druk op “Recovery” om het herstelprogramma te starten.



Opmerking:

Voor de herstelmodus is een meting van uw hartslag vereist.

Reiniging en onderhoud

Ondanks voortdurende kwaliteitscontrole kan het gebeuren dat het toestel door individuele onderdelen defect is of niet goed werkt. In de meeste gevallen zal het voldoende zijn om het defecte onderdeel te vervangen.

- Als het toestel niet goed werkt, neem dan onmiddellijk contact op met de dealer.
- Geef het modelnummer en serienummer van het toestel op aan de dealer. Vertel wat de aard van het probleem is, hoe het toestel wordt gebruikt en wanneer u het toestel heeft gekocht.

Transport en opslag



WAARSCHUWING

Draag en verplaats het toestel met minstens twee personen.

- Blijf aan weerskanten aan de voorkant van het toestel staan en pak de handgrepen stevig vast. Til de voorkant van het toestel op zodat de achterkant
- van het toestel op de wielen komt te rusten. Verplaats het toestel en zet het voorzichtig neer. Zorg voor een beschermende laag onder het toestel om schade aan het vloeroppervlak te voorkomen.
- Verplaats het toestel voorzichtig over een ongelijke ondergrond. Breng het toestel niet met behulp van de wielen naar boven, maar draag het toestel bij de handgrepen.
- Berg het toestel op een droge plaats op met zo weinig mogelijk temperatuurwisselingen.

Garantie

Het product heeft een garantie vanaf de datum van aflevering (gedocumenteerd op de factuur).

Verdere informatie over de garantievoorwaarden kunt u verkrijgen bij uw plaatselijke dealer. De garantievoorwaarden kunnen variëren tussen landen onderling. Schade veroorzaakt door normale slijtage, overbelasting of verkeerd gebruik is van de garantie uitgesloten. Schade veroorzaakt door materiaal of fabricagefouten valt onder de garantie en wordt gratis gerepareerd of vervangen.

Disclaimer

© 2014 Tunturi New Fitness BV.
Alle rechten voorbehouden.

Het product en de handleiding zijn aan veranderingen onderhevig. Specificaties kunnen zonder verdere kennisgeving worden veranderd.

Specifications

Product

Operating system ..Manual Adjustment + PMS	
Flywheel weight.....	6 kg
Rotating mass	12 kg
Power output @ 60 rpm	220 Watt
Power output @100 rpm	510 Watt
Power supply	2 x AA type batteries
Length.....	96 cm.
Width	61 cm.
Max user weight	135 kg / 300 lbs.

Monitor

Display size	5,5"screen
Display type	monochrome
Resistance level	16
Programs total	2
Preset programs	-
User programs.....	-
Watt program	-
Hrc programs.....	-
Recovery hr	1
Max hr. -	
Quick start/ manual.....	1
Body fat + bmi	1
User register	9

Ergonomics

Handlebar	Fixed / Multigrip
Seat type	Gel
Seat adjustment	Height
Contact heart rate	Yes
Telemetric hr receiver	Yes
Chest strap	Option (5,4 kHz)
Bottle holder	Option
Storage pocket	-
Transport wheels	Yes

Quality

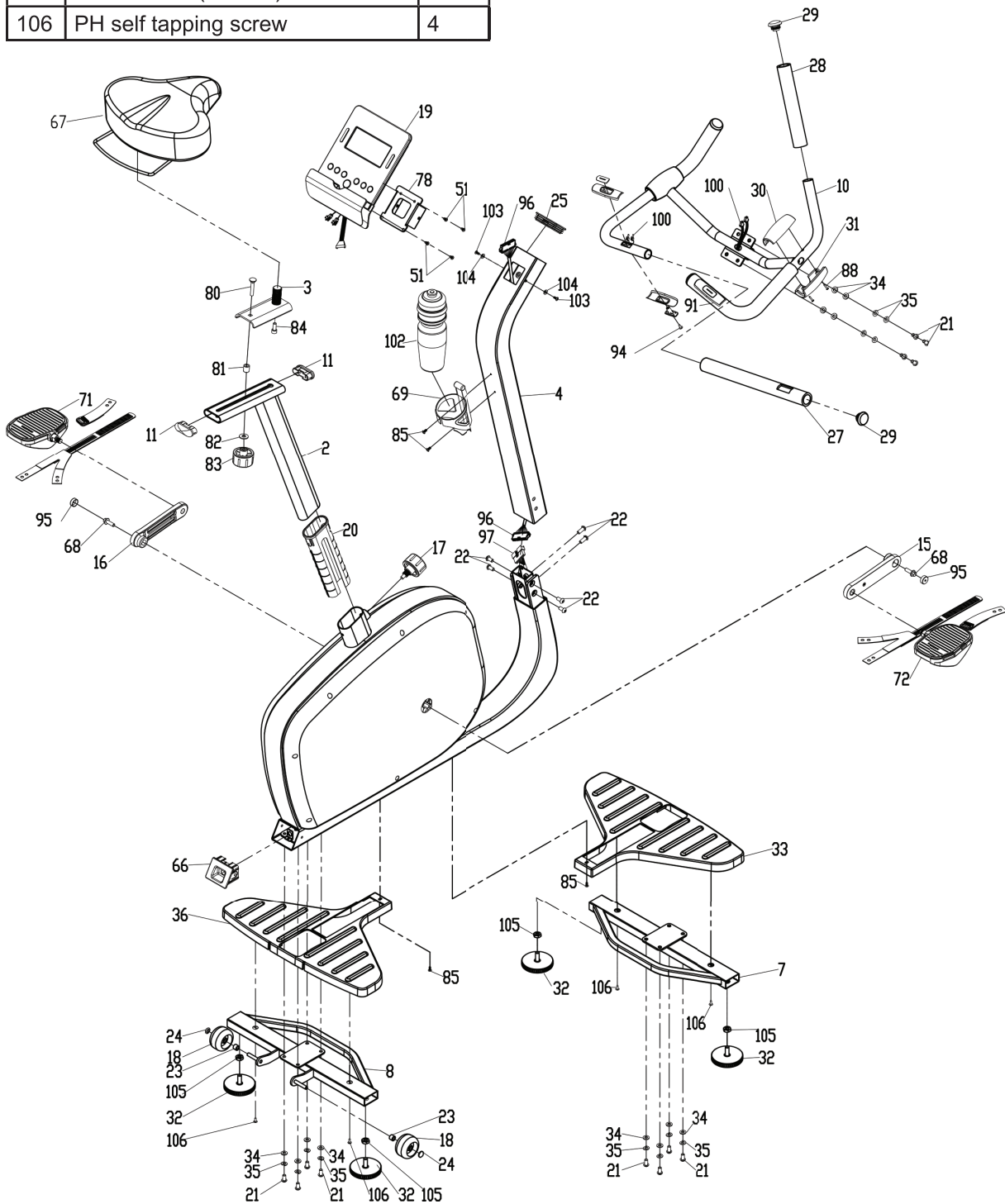
Operating environment.....	Home
En-957 class.....	HB

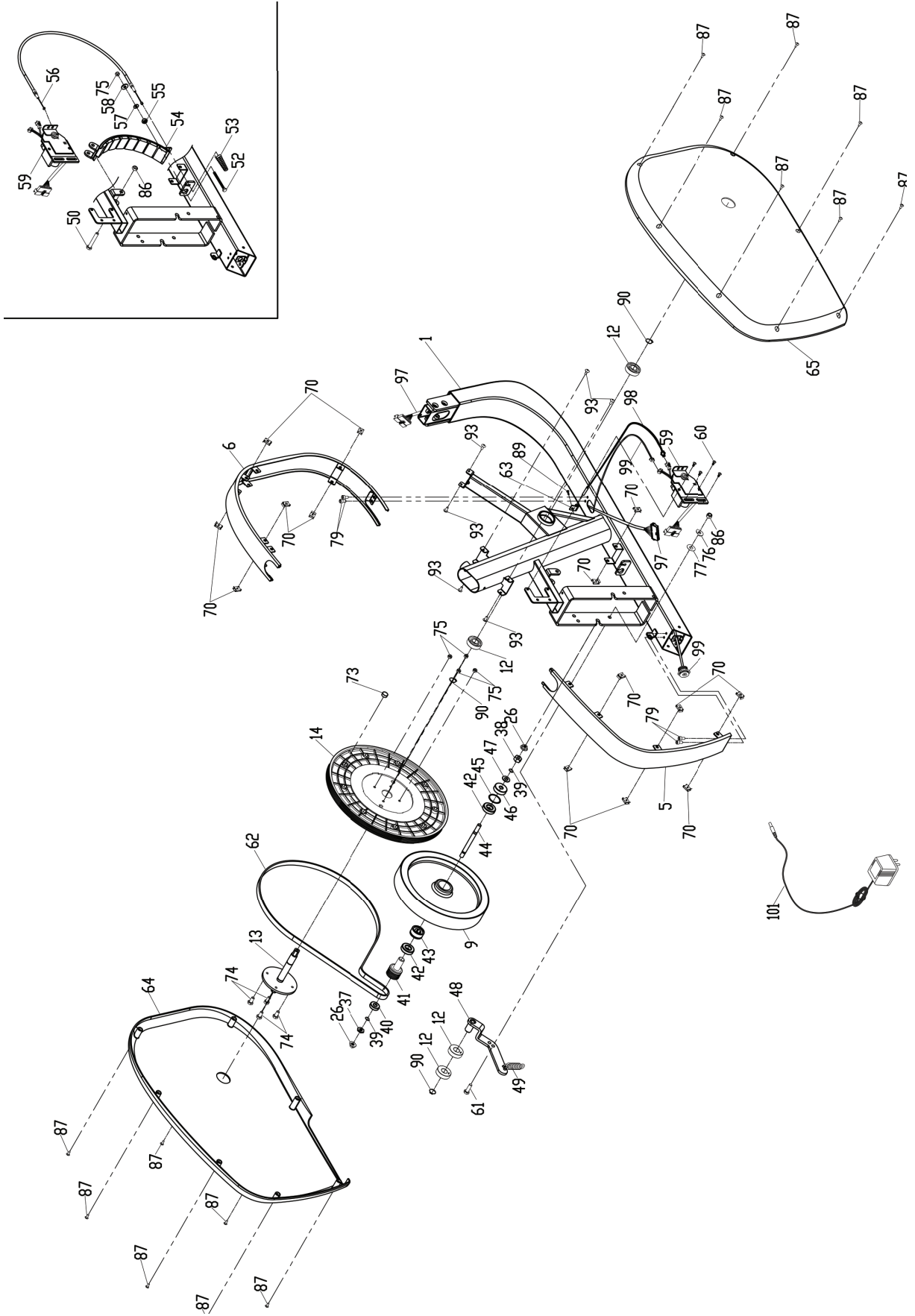
Parts list

NO.	DESCRIPTION	QTY
1	Base frame	1
2	Seat post	1
3	Saddle horizontal adj. assy	1
4	Upright tube	1
5	Side cover metal strip, rear	1
6	Side cover metal strip, front	1
7	Front stabilizer	1
8	Rear stabilizer	1
9	Flywheel	1
10	Handle bar w/o accessories	1
11	Oval end cap (20x60)	2
12	Bearing (6203zz)	4
13	Pully shaft	1
14	Pulley dia. 350mm	1
15	Crank arm (RH)	1
16	Crank arm (LH)	1
17	Quick release knob	1
18	Moving wheel	2
19	Console	1
20	Seat post insert	1
21	Round allen head bolt	12
22	Round allen head bolt	6
23	Bushing (ø8.4x13x10l)	2
24	Nut cap (75x50)	2
25	Ed cap for front post (75x50)	1
26	Wh nut (3/8")	2
27	Rear foam grip	2
28	Front foam grip	2
29	Handlebar end cap	4
30	Top handlebar cover	2
31	Bottom handle cover	2
32	Height adjustment foot	4
33	Front stabilizer cover	1
34	Flat washer (M8x16x2.0t)	12
35	Spring washer (M8)	12
36	Rear stablizer cover	1
37	Hex taper nut (3/8"x3.0t)	1
38	Hex taper nut (3/8"x5.0t)	1
39	C10 clip	2
40	Bearing (6203zz)	1
41	Small pulley	1
42	Bearing (6003zz)	2
43	One way bearing	1
44	Flywheel shaft	1
45	Flat washer (M30xø34x0.8t)	1
46	Bearing (6300zz)	1
47	Steel washer (ø10xø13x0.3t)	1
48	Idle wheel bracket	1
49	Large spring	1
50	Hex head bolt (M8x52mm)	1
51	PH machine screw (M5x12mm)	4
52	Hex head bolt (M6x60mm)	1
53	Press spring	1
54	Magnet assembly	1
55	Hex taper nut	1
56	Wire rop	1
57	Flat washer (M6xø19x1.5t)	1
58	Rubber washer (M7)	1
59	Servo motor	1
60	PH machine screw (M6x10mm)	4
61	Hex head bolt (M8x25mm)	1
62	Drive belt poly-v (6pj1372)	1
63	Sensor bracket	1
64	Side cover (LH)	1
65	Side cover (RH)	1
66	Dc cover	1
67	Saddle	1
68	Hex head shoulder bolt	2
69	Water bottle holder	1
70	Side cover clip (M4)	14
71	Pedal (LH)	1
72	Pedal (RH)	1
73	Magnet	1
74	Hex head bolt (M6x16mm)	4
75	Nyloc nut (M6)	5
76	Flat washer (M8x22x1.5t)	2
77	Nylon washer (ø10xø24x0.3t)	2
78	Console assemble brackt	1
79	Screw (M6x12mm)	4
80	Carriage bolt (M8x40mm)	1
81	Bushing (ø15x15.8)	1
82	Flat washer (M8x23x2.0t)	1
83	M8 knob for horizontal adjust	1
84	Screw (M8x20mm)	1
85	PH machine screw (M5x15mm)	8
86	Nyloc nut (M8)	2
87	PH self tapping screw	14
88	PH self tapping screw	4
89	PH self tapping screw	1
90	C17 clip	3
91	Hand pulse sensor set	2
93	PH machine screw (M5x12mm)	6

94	PH self tapping screw	2
95	Crank cap	2
96	Upper U.I. cable	1
97	Lower U.I. cable	1
98	Sensor wire	1
99	Dc wire	1
100	Hand pulse wire	2
101	Adaptor (9v DC/ 1.3amp)	1
102	Water bottle	1
103	Screw (M6x12)	2
104	Spring washer (M6)	2
105	Hex flat nut (3/8"-16)	4
106	PH self tapping screw	4

Exploded view





TUNTURI®

www.tunturi.com

**TUNTURI NEW FITNESS B.V.
P.O. BOX 60001
1320 AA
THE NETHERLANDS**

www.tunturi.com

20141010